



**Technical Service
Information Bulletin**

October 13, 2006

Title:

**AUTOMATIC TRANSMISSION
SERIAL NUMBER LOCATION**

Models:

All '06 – '07 Lexus

TRANSMISSION & CLUTCH
TC009-06

Introduction The purpose of this TSIB is to assist in the identification and location of serial numbers on 2006 – 2007 model year automatic transmissions.

NOTE:

- Per Lexus Warranty Policy & Procedure Policy 4.21:
Whenever a remanufactured or OEM automatic transmission is replaced, the serial number from the back of the failed component must be entered in the “Transmission Serial Number” field, which can be found on the “Additional Information” tab of the warranty claim.
- When writing a Product Report, the serial number **MUST** be provided.
- Warranty policy requires shipment of ALL replaced transmissions to AWTEC, even if the transmission is replaced with a new service unit.

Applicable Vehicles • 2006 – 2007 model year **Lexus** vehicles.

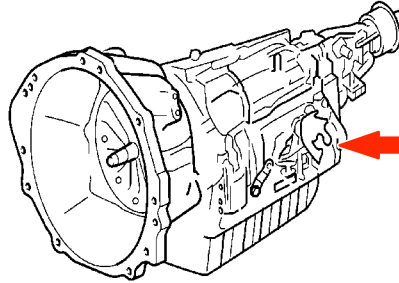
Warranty Information

OP CODE	DESCRIPTION	TIME	OFP	T1	T2
N/A	Not Applicable to Warranty	–	–	–	–

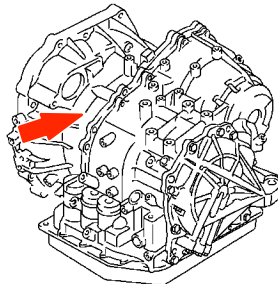


Identification Procedure

TRANSMISSION MODEL	MODEL	MODEL YEAR	ENGINE	SERIAL NUMBER
A750E/F	GX 470	2006 2007	2UZ-FE	Example: 06 A T1 00001 06: Year of Manufacture A: Month of Manufacture (A – M, “I” not used) T1/T2: Transmission Model Code (A750*) 00001: 5-digit Serial Number Location: Left Rear on Transmission Case Above Transmission Pan (as shown below)
	LX 470			

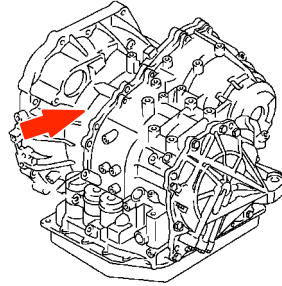


TRANSMISSION MODEL	MODEL	MODEL YEAR	ENGINE	SERIAL NUMBER
U151E/F	ES 330	2006	3MZ-FE	Example: 06 A D2 00001 06: Year of Manufacture A: Month of Manufacture (A – M, “I” not used) D2: Transmission Model Code (U151*) 00001: 5-digit Serial Number Location: Slightly Off Center to the Left on Top of Bell Housing of Transmission. (as shown below)
	RX 330			
	RX 350	2007	2GR-FE	

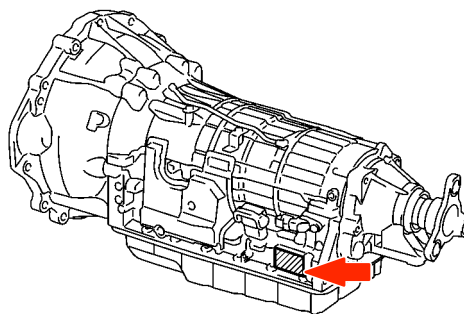


Identification Procedure
(Continued)

TRANSMISSION MODEL	MODEL	MODEL YEAR	ENGINE	SERIAL NUMBER
U151E/F (TMMWV Built)	RX 330	2006	3MZ-FE	Example: 5 06 01 00001 5: Plant (TMMWV) 06: Year of Manufacture 01: Month of Manufacture (January) 00001: 5-digit Serial Number Location: Slightly Off Center to the Left on Top of Bell Housing of Transmission (as shown below)
	RX 350	2007	2GR-FE	

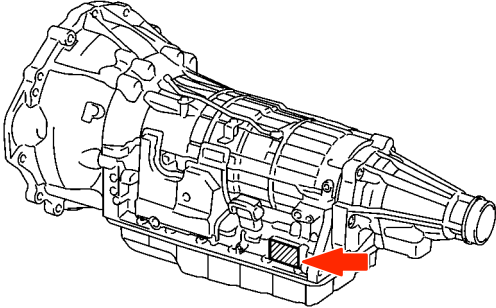


TRANSMISSION MODEL	MODEL	MODEL YEAR	ENGINE	SERIAL NUMBER
A761E	SC 430	2006 2007	3UZ-FE	Example: 06 A TA 00001 06: Year of Manufacture A: Month of Manufacture (A – M, “I” not used) TA/TF: Transmission Model Code (A761E) 00001: 5-digit Serial Number Location: Left Rear on Transmission Case Above Transmission Pan (as shown below)
	LS 430	2006		
	GS 430	2006 2007		

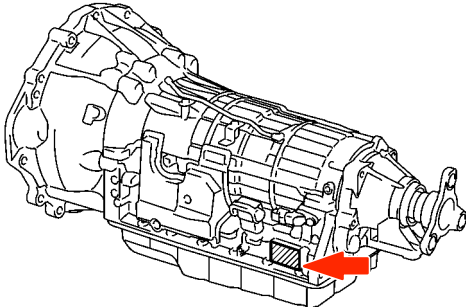


Identification Procedure
(Continued)

TRANSMISSION MODEL	MODEL	MODEL YEAR	ENGINE	SERIAL NUMBER
A960E	IS 250 2WD	2006 2007	4GR-FSE	Example: 06 A TC 00001 06: Year of Manufacture A: Month of Manufacture (A – M, “I” not used) TC: Transmission Model Code (A960E) 00001: 5-digit Serial Number Location: Left Rear on Transmission Case Above Transmission Pan (as shown below)
	GS 300 2WD	2006	3GR-FSE	

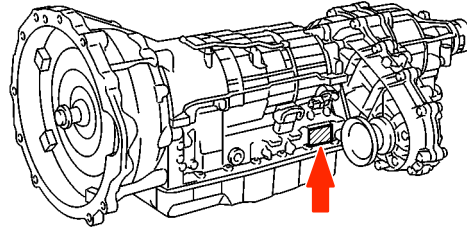


TRANSMISSION MODEL	MODEL	MODEL YEAR	ENGINE	SERIAL NUMBER
A760E	IS 350	2006 2007	2GR-FSE	Example: 06 A TA 00001 06: Year of Manufacture A: Month of Manufacture (A – M, “I” not used) TA/TF: Transmission Model Code (A760E) 00001: 5-digit Serial Number Location: Left Rear on Transmission Case Above Transmission Pan (as shown below)
	GS 350 2WD	2007	2GR-FSE	

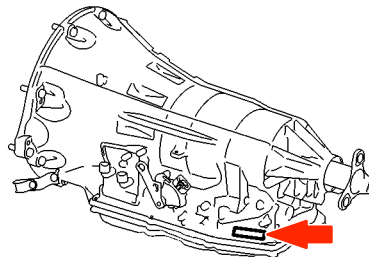


Identification Procedure
(Continued)

TRANSMISSION MODEL	MODEL	MODEL YEAR	ENGINE	SERIAL NUMBER
A760H	IS 250 AWD	2006 2007	4GR-FSE	Example: 06 A TB 00001 06: Year of Manufacture A: Month of Manufacture (A – M, “I” not used) TB/TG: Transmission Model Code (A760H) 00001: 5-digit Serial Number Location: Left Rear on Transmission Case Above Transmission Pan (as shown below)
	GS 300 AWD	2006	3GR-FSE	
	GS 350 AWD	2007	2GR-FSE	



TRANSMISSION MODEL	MODEL	MODEL YEAR	ENGINE	SERIAL NUMBER
AA80E	LS 460	2007	1UR-FSE	Example: 06 A LA 00001 06: Year of Manufacture A: Month of Manufacture (A – M, “I” not used) LA: Transmission Model Code (AA80E) 00001: 5-digit Serial Number Location: Left Rear on Transmission Case Above Transmission Pan (as shown below)
	LS 460L			



Identification Procedure
(Continued)

TRANSMISSION MODEL	MODEL	MODEL YEAR	ENGINE	SERIAL NUMBER
U660E	ES 350	2007	2GR-FE	<p>Example: 2A 06 G1 00001</p> <p>2: Plant ID (TMH) A: Unit ID (U660E) 06: Year of Manufacture G: Month of Manufacture (A – M, "I" not used) 1: Plant Line Number 00001: 5-digit Serial Number</p> <p>Location: Top of Bell Housing Towards Front of Transmission — Serial Number Will Be Stamped in Transmission Case.</p>

