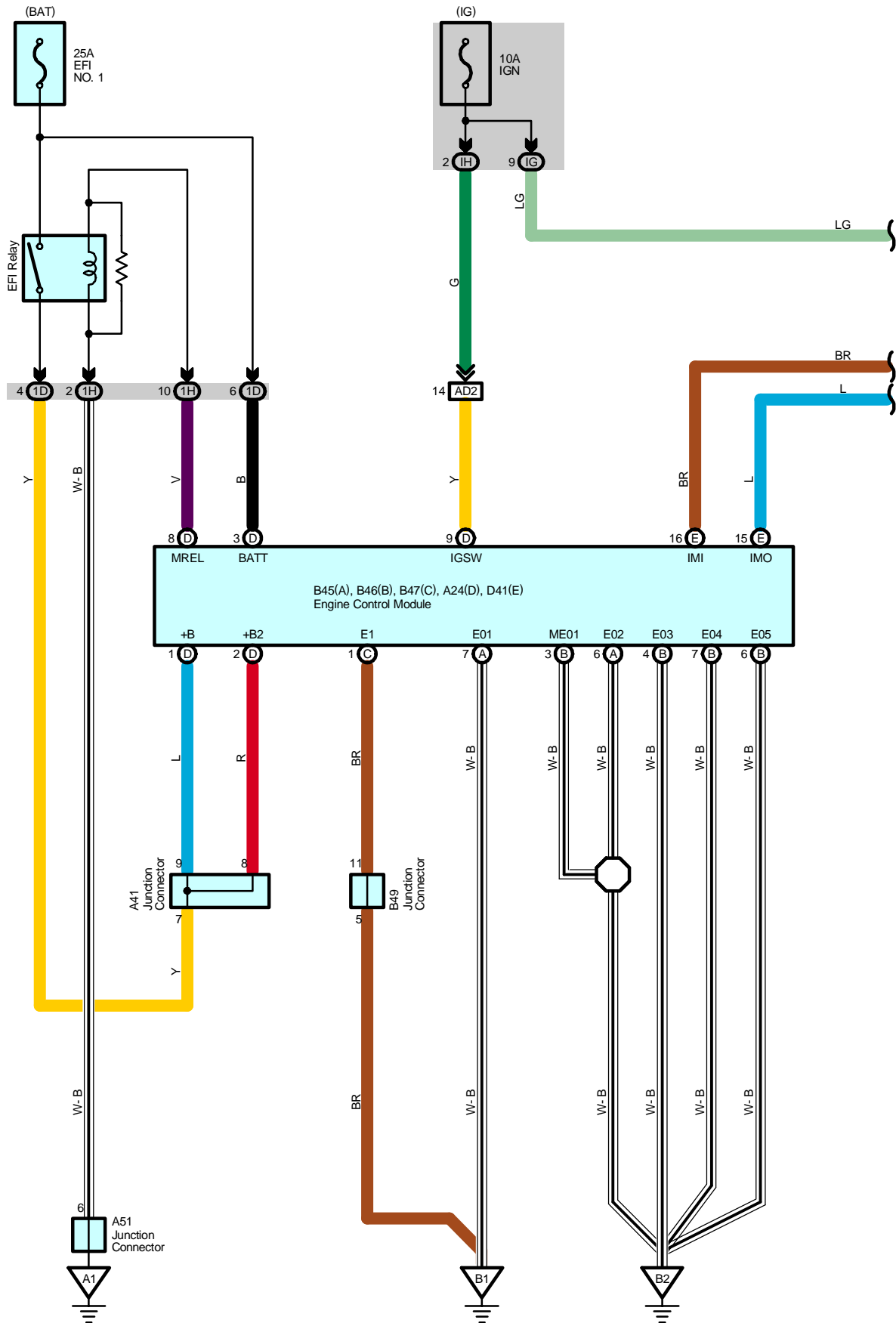
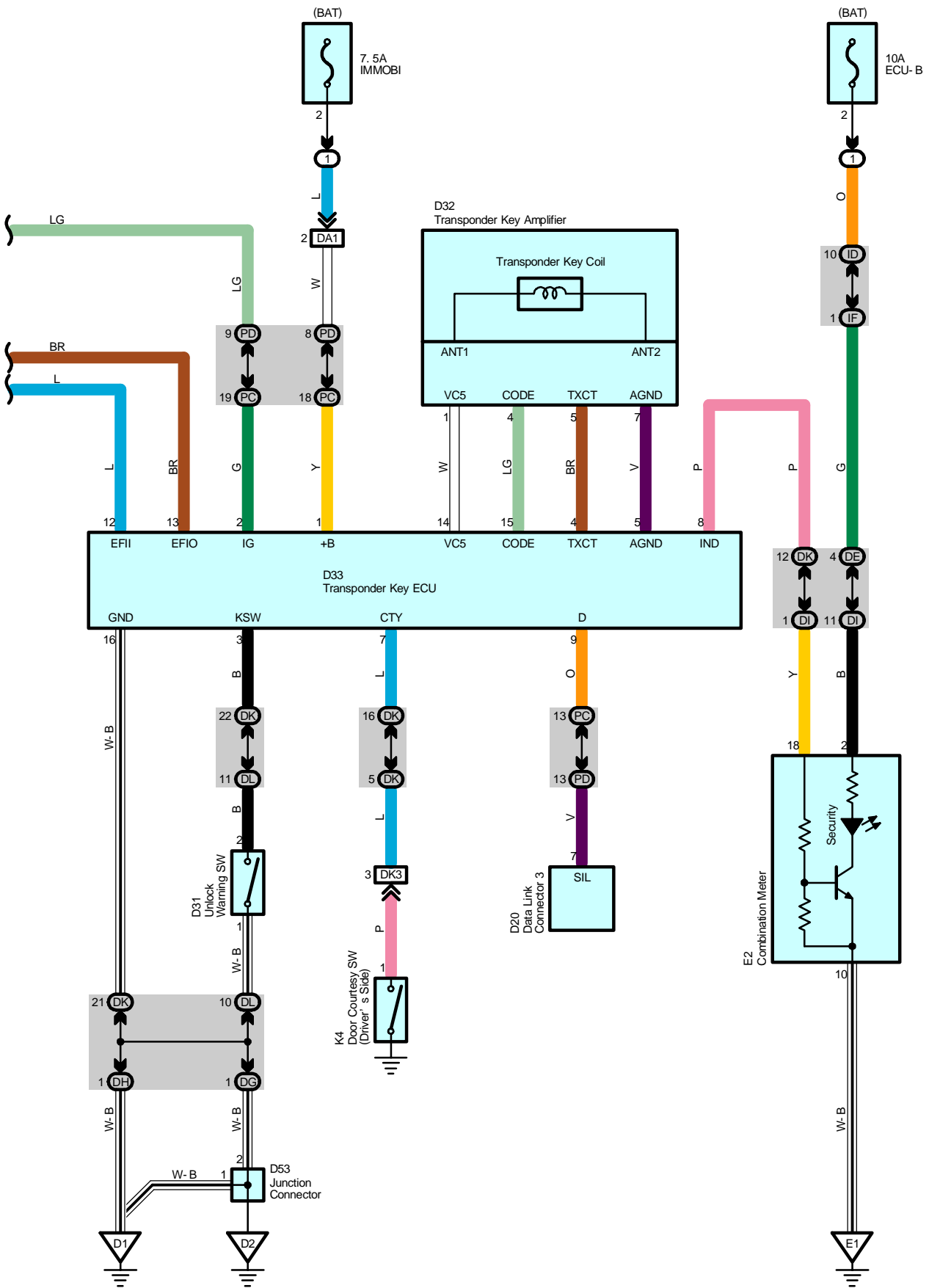


Engine Immobiliser System without Smart Key System





Engine Immobiliser System without Smart Key System

: Parts Location

Code	See Page	Code	See Page	Code	See Page
A24 D	50	B47 C	50	D33	51
A41	50	B49	50	D41 E	52
A51	48	D20	51	D53	52
B45 A	50	D31	51	E2	52
B46 B	50	D32	51	K4	54

: Relay Blocks

Code	See Page	Relay Blocks (Relay Block Location)
1	22	Engine Room R/B (Engine Compartment Left)

: Junction Block and Wire Harness Connector

Code	See Page	Junction Block and Wire Harness (Connector Location)
1D	24	Engine Room Main Wire and Engine Room J/B (Engine Compartment Left)
1H		
DE	36	Instrument Panel Wire and Driver Side J/B (Behind the Combination Meter)
DG		
DH		
DI	36	Instrument Panel No.2 Wire and Driver Side J/B (Behind the Combination Meter)
DK	36	Instrument Panel Wire and Driver Side J/B (Behind the Combination Meter)
DL		
ID	30	Engine Room Main Wire and Instrument Panel J/B (Lower Finish Panel)
IF	30	Instrument Panel Wire and Instrument Panel J/B (Lower Finish Panel)
IG	31	
IH		
PC	42	Instrument Panel Wire and Passenger Side J/B (Instrument Panel Reinforcement RH)
PD		

: Connector Joining Wire Harness and Wire Harness

Code	See Page	Joining Wire Harness and Wire Harness (Connector Location)
AD2	60	Engine Room Main Wire and Instrument Panel Wire (Right Side of the Instrument Panel J/B)
DA1	60	Instrument Panel Wire and Engine Room Main Wire (Left Kick Panel)
DK3	60	Instrument Panel Wire and Floor No.1 Wire (Left Kick Panel)

: Ground Points

Code	See Page	Ground Points Location
A1	58	Front Left Fender
B1	58	Cylinder Head
B2	58	Left Side of the Cylinder Block
D1	60	Left Kick Panel
D2	60	Instrument Panel Brace LH
E1	60	Under the Combination Meter

