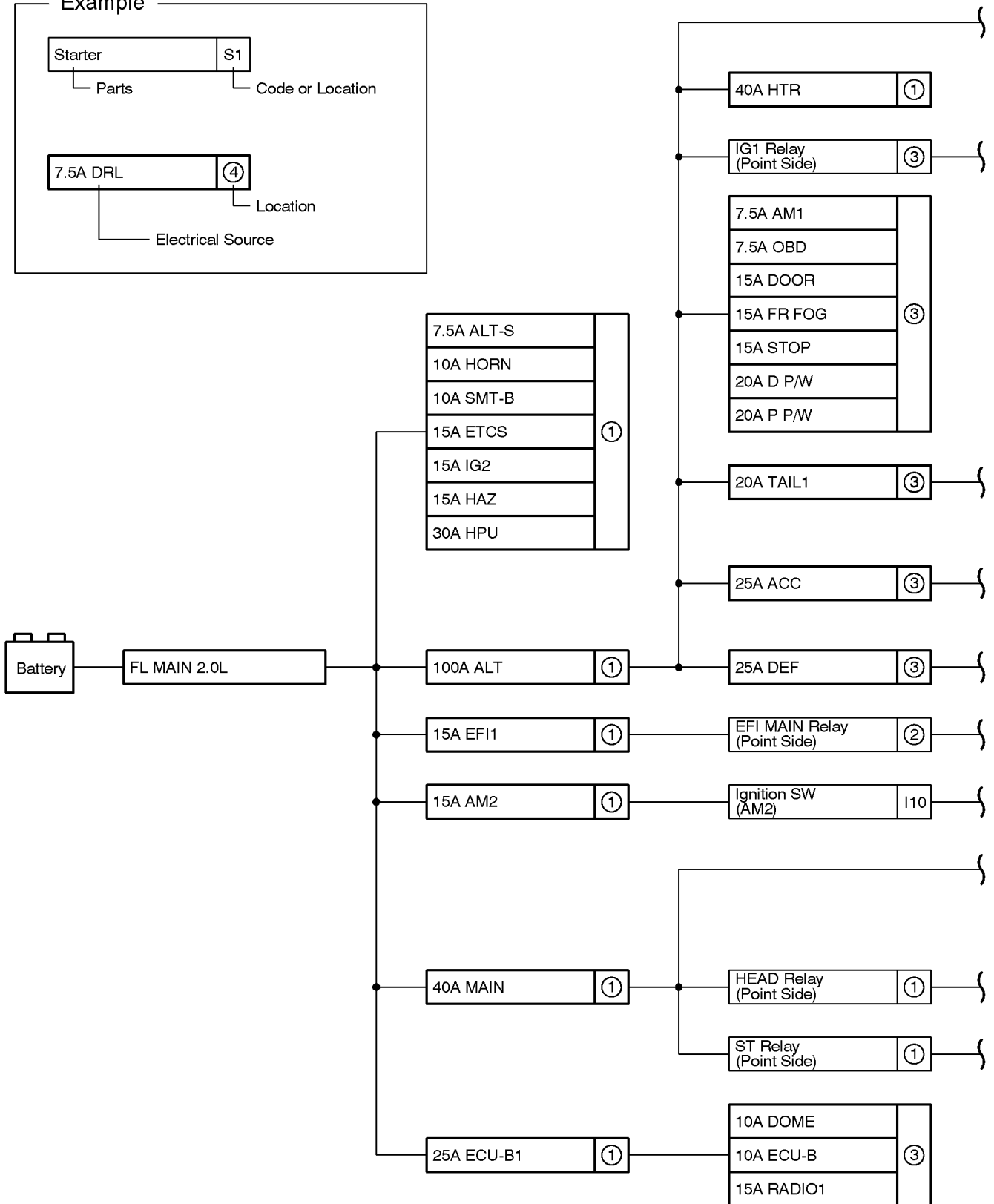
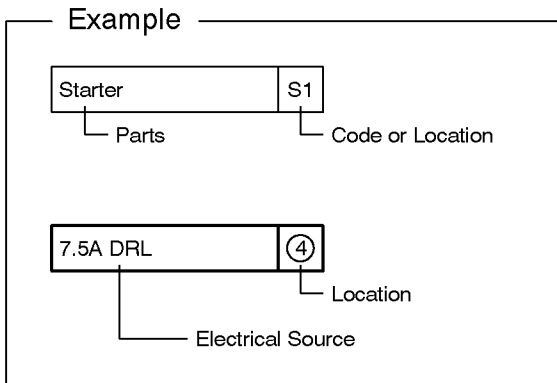


J POWER SOURCE (Current Flow Chart)

The chart below shows the route by which current flows from the battery to each electrical source (Fusible Link, Circuit Breaker, Fuse, etc.) and other Parts.



J POWER SOURCE (Current Flow Chart)

Fusible Link Block (See Page 22)

Fuse		System	Page
7.5A	ALT-S	Charging	54
7.5A	DRL NO.1	Headlight	70
7.5A	EFI2	Engine Control	56
7.5A	ST	Engine Control	56
		Starting and Ignition	50
10A	HEAD LH LWR	Front Fog Light	74
10A	HORN	Horn	92
10A	SMT-B	Sequential Manual Transmission	126
10A	SMT-IG	Sequential Manual Transmission	126
15A	AM2	Combination Meter	144
		Cruise Control	134
		Engine Control	56
		Sequential Manual Transmission	126
		SRS	115
15A	EFI1	Starting and Ignition	50
		Cruise Control	134
15A	ETCS	Engine Control	56
		Engine Immobiliser System	68
		Turn Signal and Hazard Warning Light	82
15A	IG2	Cruise Control	134
		Engine Control	56
		Sequential Manual Transmission	126
		Starting and Ignition	50
30A	HPU	Sequential Manual Transmission	126
40A	HTR	Air Conditioning	152
40A	MAIN	Engine Control	56
		Headlight	70
		Starting and Ignition	50
100A	ALT	Charging	54
		Sequential Manual Transmission	126

R/B No.3 (See Page 24)

Fuse		System	Page
7.5A	AM1	Sequential Manual Transmission	126
7.5A	ECU-IG	ABS	122
		EHPS	120
7.5A	FAN-IG	Radiator Fan and Condenser Fan	150
7.5A	GAUGE	ABS	122
		Auto Antenna	112

* These are the page numbers of the first page on which the related system is shown.

Fuse		System	Page
7.5A	GAUGE	Back-Up Light	86
		Charging	54
		Combination Meter	144
		Cruise Control	134
		Door Lock Control	104
		EHPS	120
		Engine Control	56
		Headlight	70
		Light Reminder and Key Reminder Buzzer	98
		Power Window	102
		Rear Window Defogger	142
		Seat Belt Warning and Electric Tension Reducer	100
		Sequential Manual Transmission	126
		SRS	115
7.5A	I/UP	Combination Meter	144
		Headlight	70
		Rear Window Defogger	142
7.5A	OBD	Cruise Control	134
		Engine Control	56
7.5A	PANEL	Cigarette Lighter and Clock	90
		Combination Meter	144
		Illumination	80
7.5A	RADIO2	Auto Antenna	112
		Cigarette Lighter and Clock	90
		Combination Meter	144
		Radio and Player	110
		Remote Control Mirror	108
7.5A	SRS	SRS	115
7.5A	TURN	Turn Signal and Hazard Warning Light	82
10A	DOME	Cigarette Lighter and Clock	90
		Combination Meter	144
		Interior Light	88
10A	ECU-B	Combination Meter	144
		Headlight	70
		Interior Light	88
		Light Reminder and Key Reminder Buzzer	98
		Seat Belt Warning and Electric Tension Reducer	100
		Sequential Manual Transmission	126
10A	HTR	Air Conditioning	152
		Seat Belt Warning and Electric Tension Reducer	100
10A	TAIL2	Taillight	76
10A	WASHER	Wiper and Washer	94
15A	CIG	Cigarette Lighter and Clock	90

* These are the page numbers of the first page on which the related system is shown.

J POWER SOURCE (Current Flow Chart)

Fuse		System	Page
15A	DOOR	Door Lock Control	104
		Light Reminder and Key Reminder Buzzer	98
15A	FR FOG	Front Fog Light	74
15A	RADIO1	Auto Antenna	112
		Radio and Player	110
15A	STOP	ABS	122
		Cruise Control	134
		Engine Control	56
		Sequential Manual Transmission	126
		Stop Light	84
20A	D P/W	Power Window	102
20A	P P/W	Power Window	102
20A	TAIL1	Illumination	80
		Light Reminder and Key Reminder Buzzer	98
		Taillight	76
20A	WIPER	Wiper and Washer	94
25A	DEF	Rear Window Defogger	142

R/B No.4 (See Page 25)

Fuse		System	Page
30A	ABS1	ABS	122
30A	CDS FAN	Radiator Fan and Condenser Fan	150
30A	RDI FAN	Radiator Fan and Condenser Fan	150
50A	ABS2	ABS	122
50A	EHPS	EHPS	120

R/B No.5 (See Page 28)

Fuse		System	Page
10A	HEAD LH LWR	Headlight	70
10A	HEAD LH UPR	Headlight	70
10A	HEAD RH LWR	Headlight	70
10A	HEAD RH UPR	Headlight	70

* These are the page numbers of the first page on which the related system is shown.

