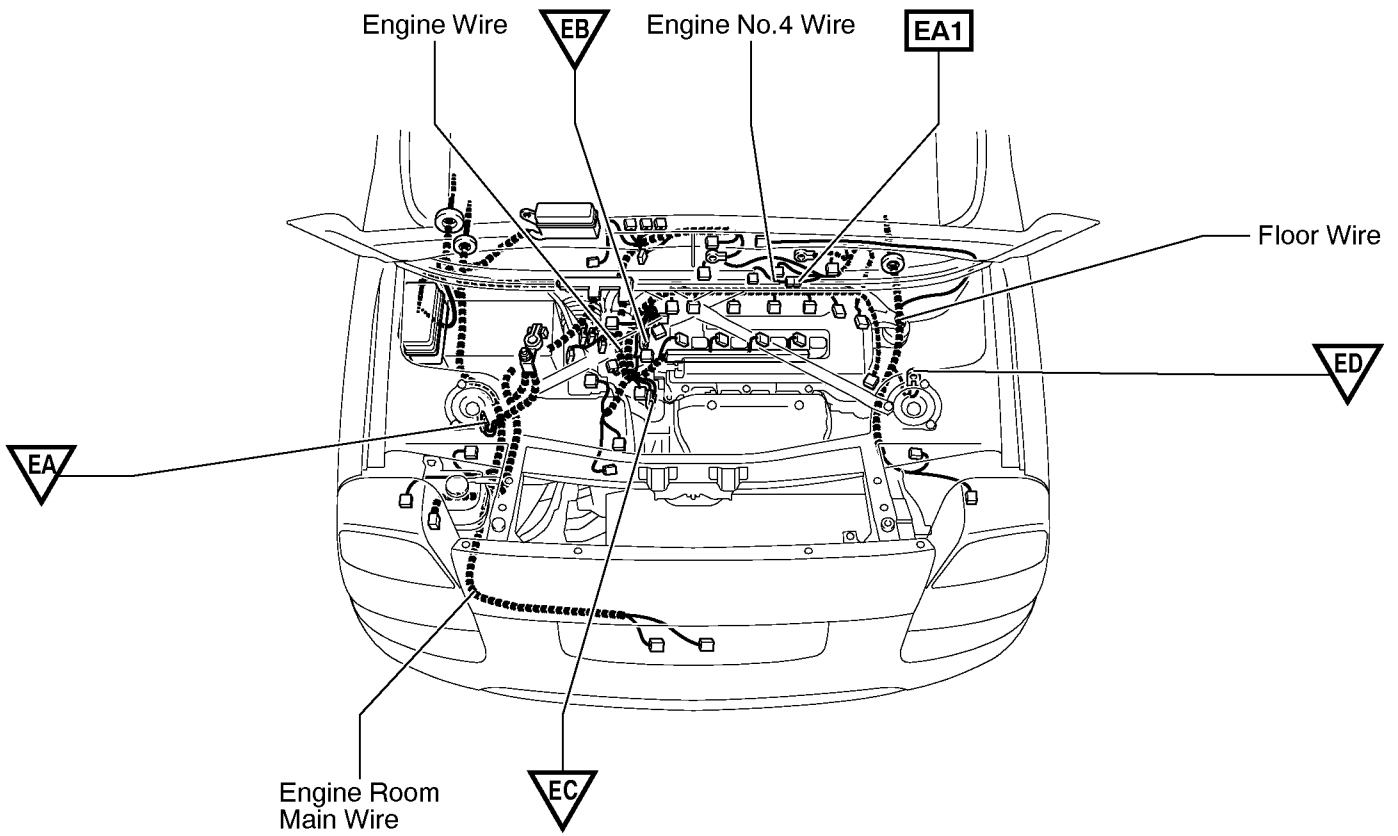
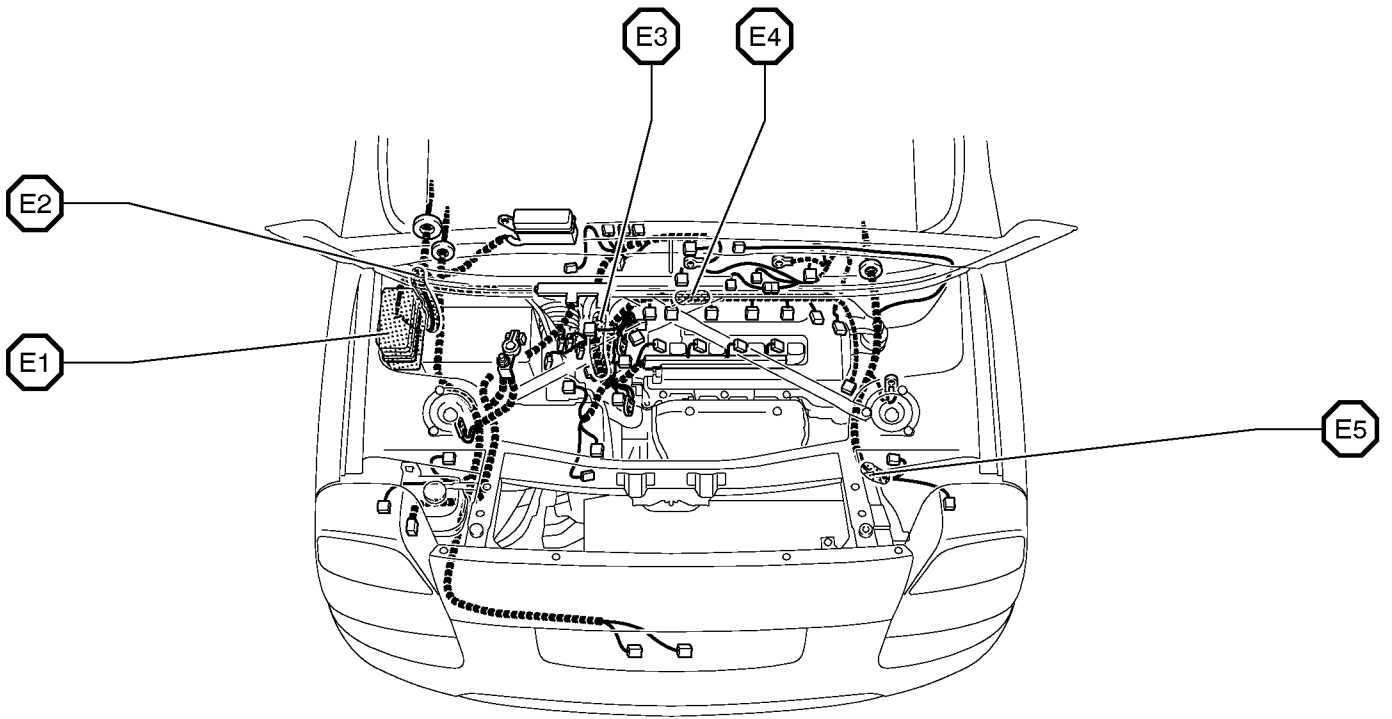


G ELECTRICAL WIRING ROUTING

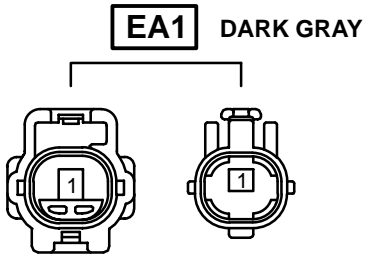
- : Location of Connector Joining Wire Harness and Wire Harness
- ▽ : Location of Ground Points



- : Location of Splice Points



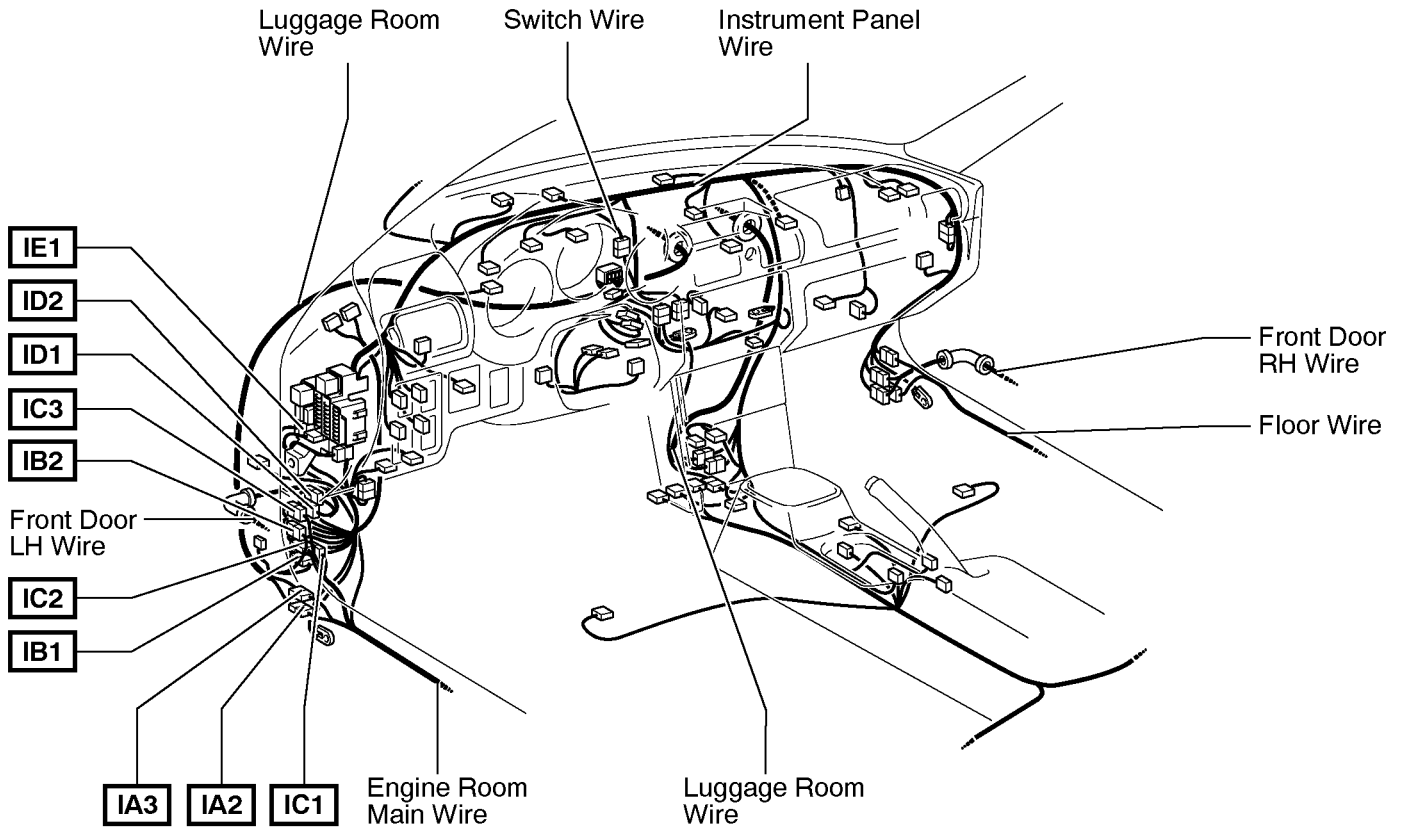
Connector Joining Wire Harness and Wire Harness



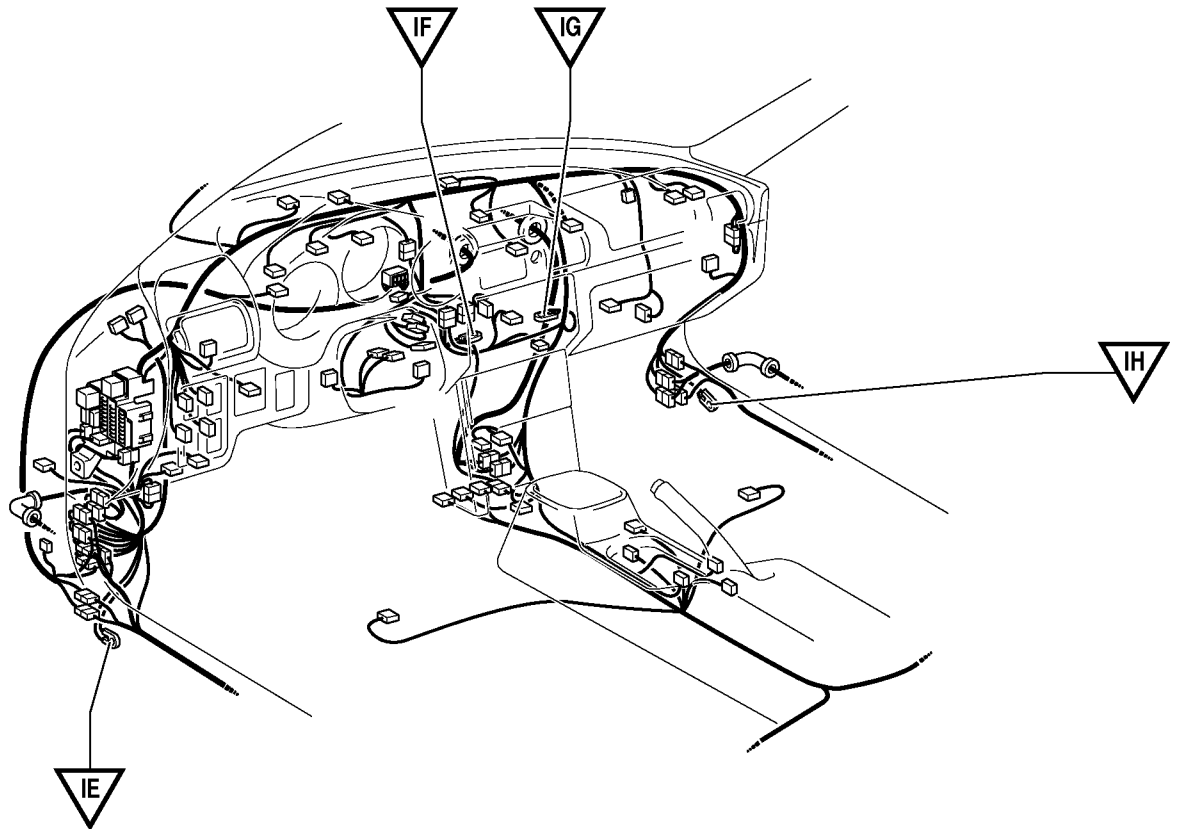
Code	Joining Wire Harness and Wire Harness (Connector Location)
EA1	Engine No.4 Wire and Engine Wire (Near the Generator)

G ELECTRICAL WIRING ROUTING

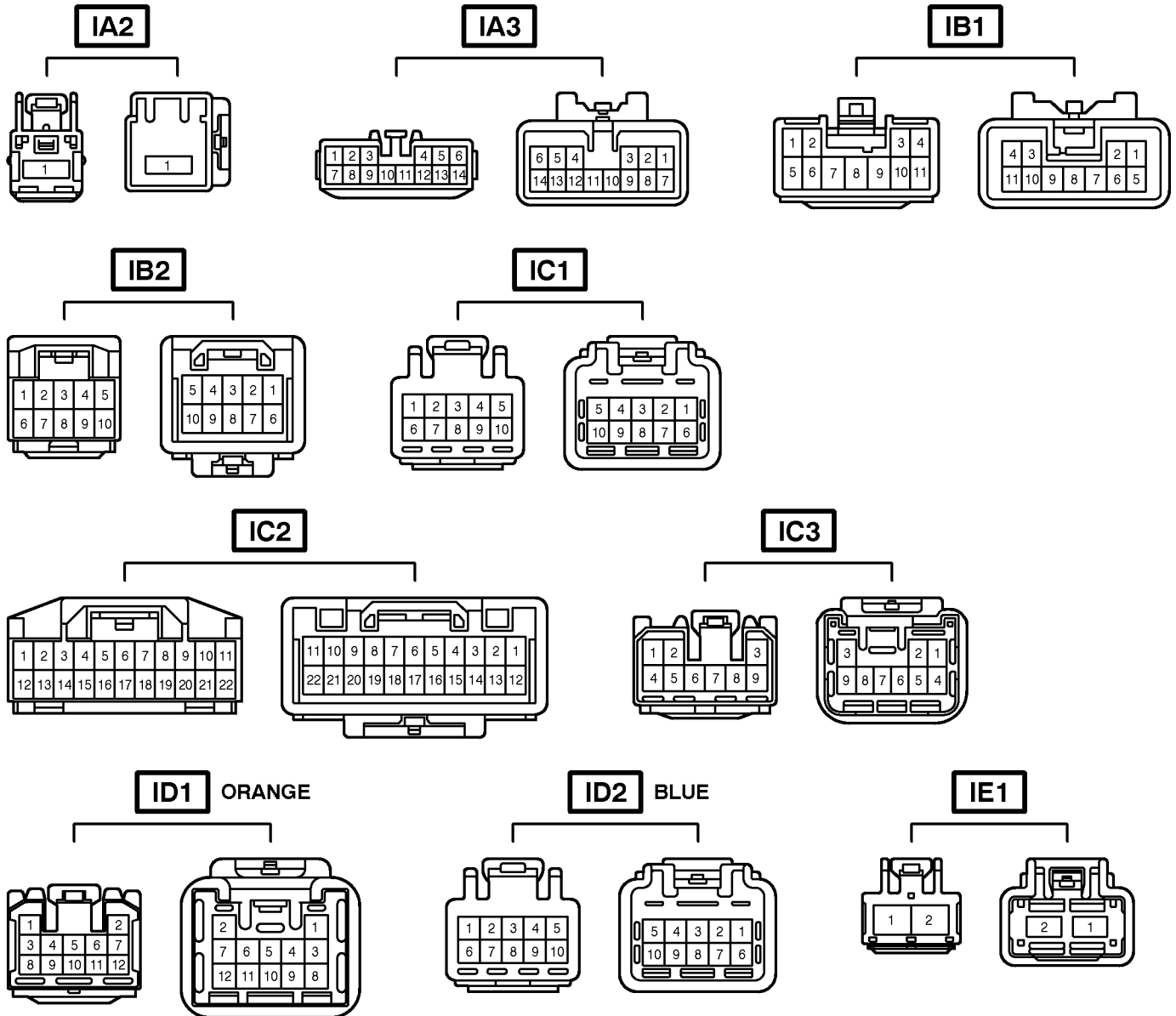
□ : Location of Connector Joining Wire Harness and Wire Harness



▽ : Location of Ground Points



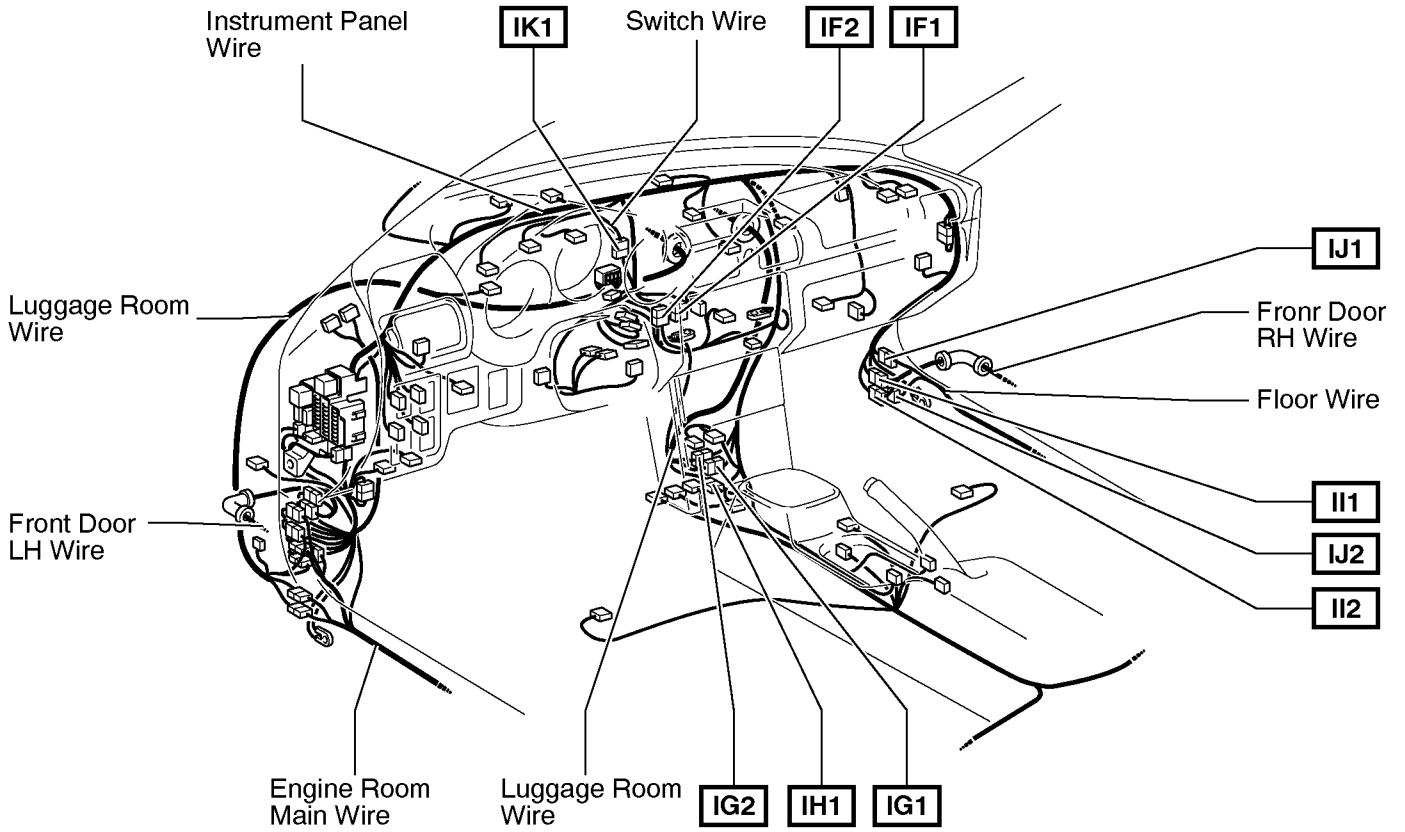
Connector Joining Wire Harness and Wire Harness



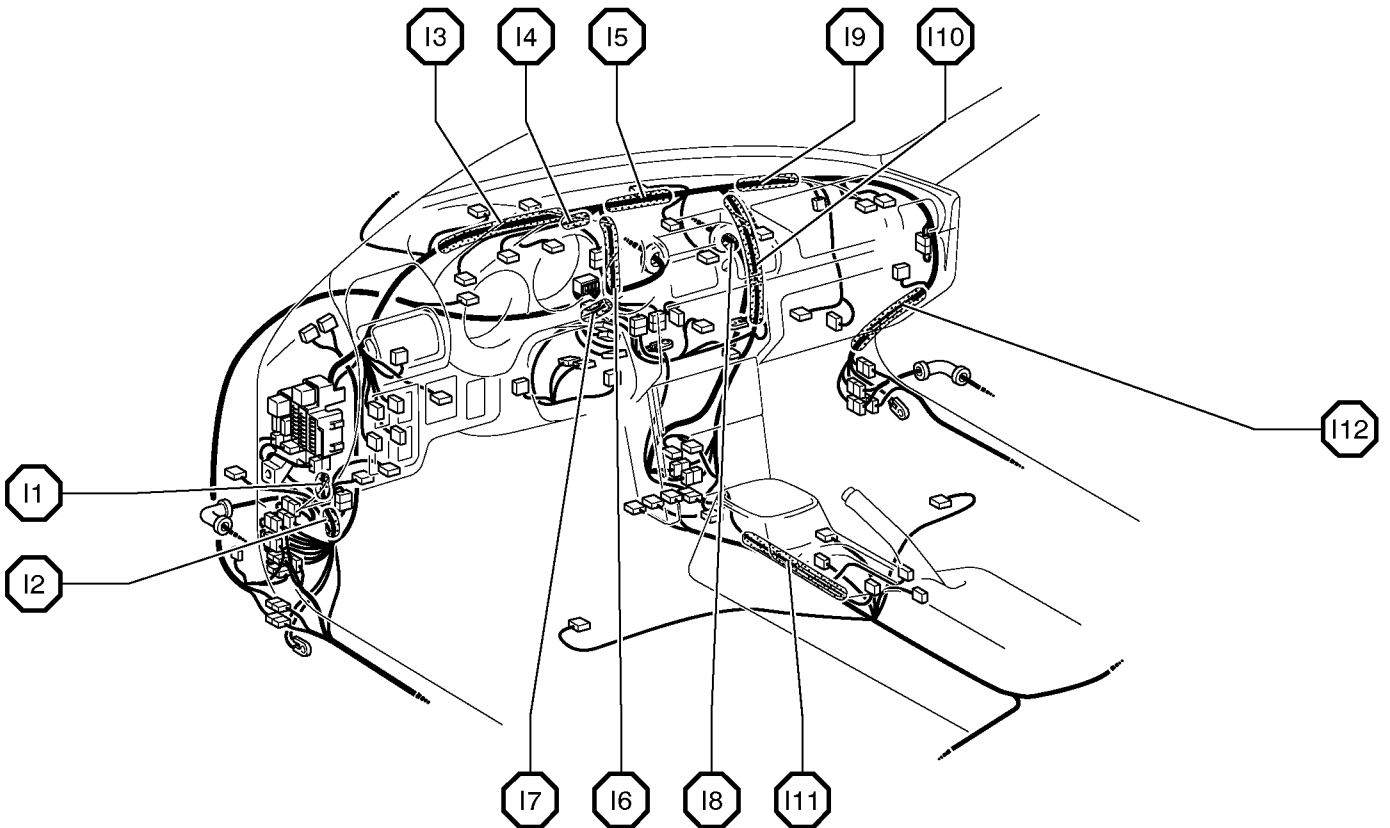
Code	Joining Wire Harness and Wire Harness (Connector Location)
IA2	Engine Room Main Wire and Luggage Room Wire (Left Kick Panel)
IA3	Engine Room Main Wire and Luggage Room Wire (Left Kick Panel)
IB1	Luggage Room Wire and Instrument Panel Wire (Left Kick Panel)
IB2	Luggage Room Wire and Instrument Panel Wire (Left Kick Panel)
IC1	Engine Room Main Wire and Instrument Panel Wire (Left Kick Panel)
IC2	Engine Room Main Wire and Instrument Panel Wire (Left Kick Panel)
IC3	Engine Room Main Wire and Instrument Panel Wire (Left Kick Panel)
ID1	Front Door LH Wire and Instrument Panel Wire (Left Kick Panel)
ID2	Front Door LH Wire and Instrument Panel Wire (Left Kick Panel)
IE1	Engine Room Main Wire and Instrument Panel Wire (Left Side of Instrument Panel)

G ELECTRICAL WIRING ROUTING

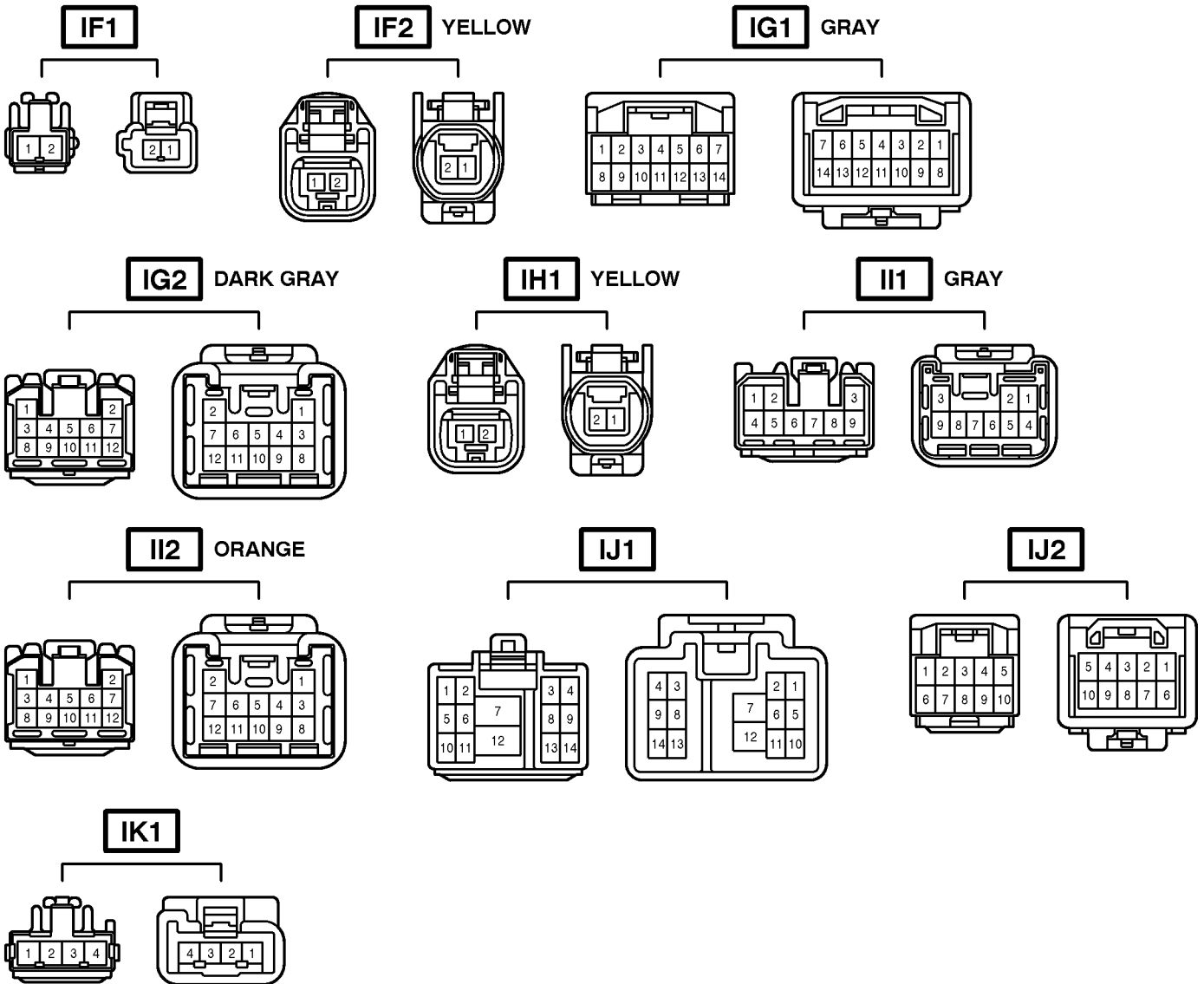
□ : Location of Connector Joining Wire Harness and Wire Harness



○ : Location of Splice Points



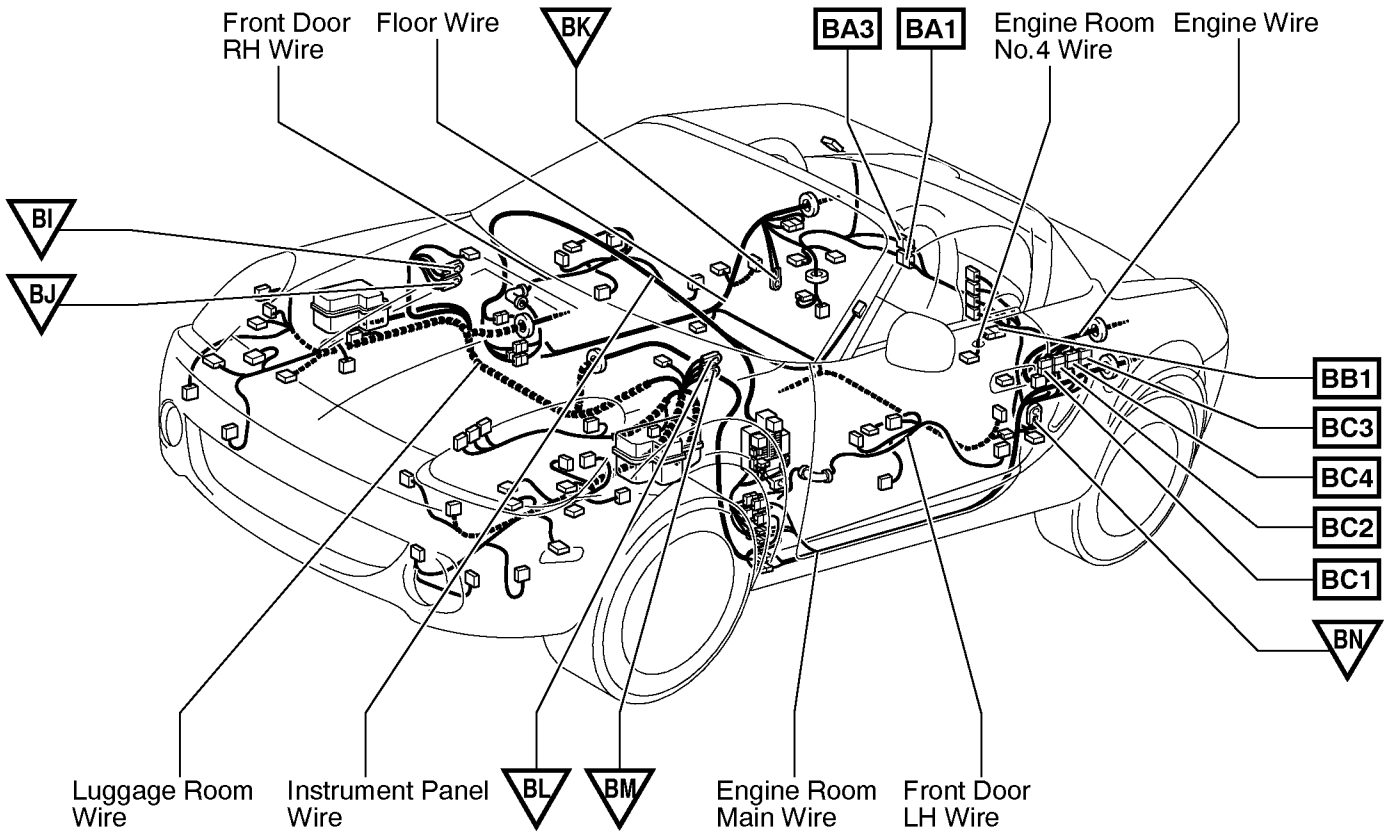
Connector Joining Wire Harness and Wire Harness



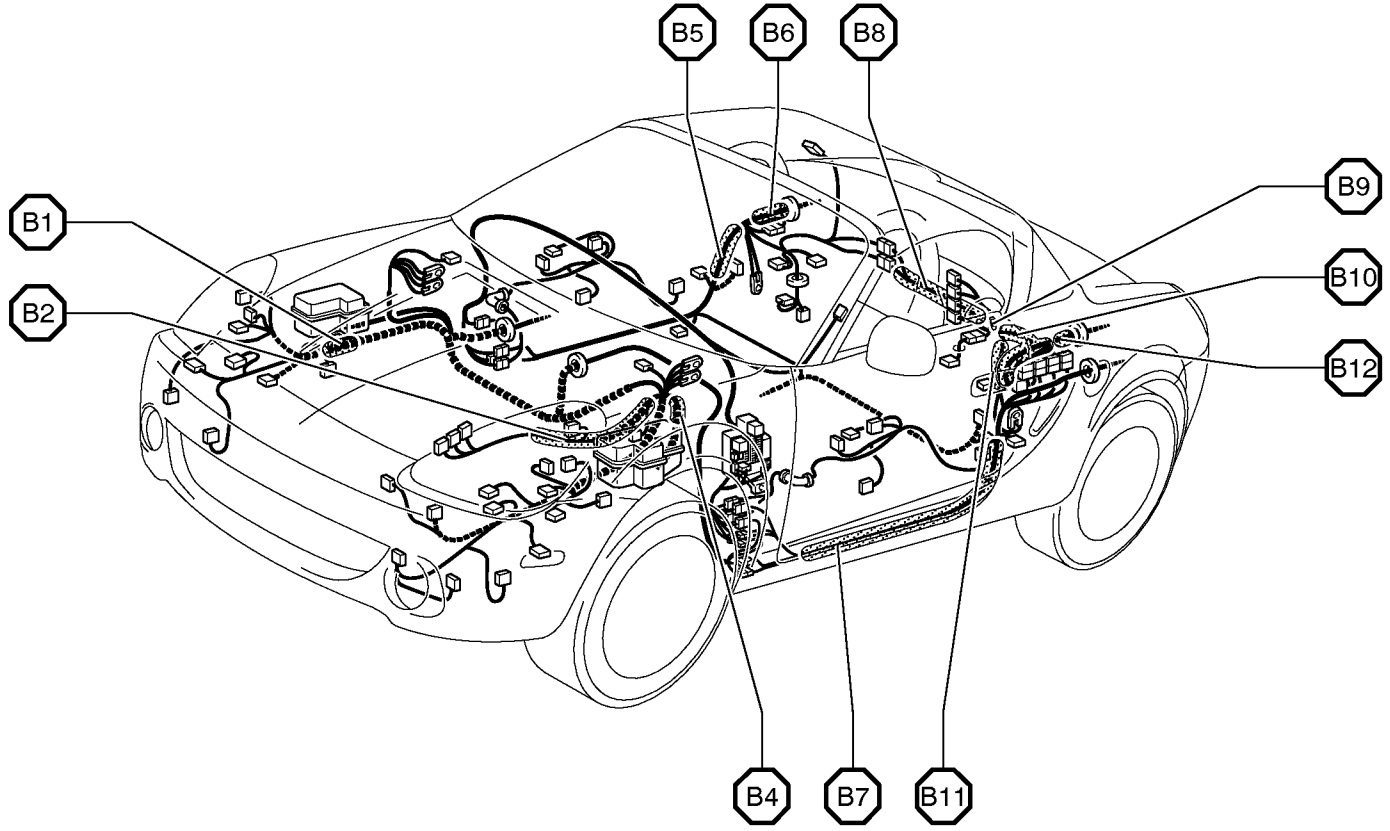
Code	Joining Wire Harness and Wire Harness (Connector Location)
IF1	Luggage Room Wire and Instrument Panel Wire (Instrument Panel Brace LH)
IF2	Luggage Room Wire and Instrument Panel Wire (Under the Instrument Panel Center)
IG1	Luggage Room Wire and Instrument Panel Wire (Under the Instrument Panel Center)
IG2	Luggage Room Wire and Instrument Panel Wire (Under the Instrument Panel Center)
IH1	Instrument Panel Wire and Luggage Room Wire (Under the Instrument Panel Center)
II1	Front Door RH Wire and Instrument Panel Wire (Right Kick Panel)
II2	Front Door RH Wire and Instrument Panel Wire (Right Kick Panel)
IJ1	Floor Wire and Instrument Panel Wire (Right Kick Panel)
IJ2	Floor Wire and Instrument Panel Wire (Right Kick Panel)
IK1	Instrument Panel Wire and Switch Wire (Instrument Panel Brace LH)

G ELECTRICAL WIRING ROUTING

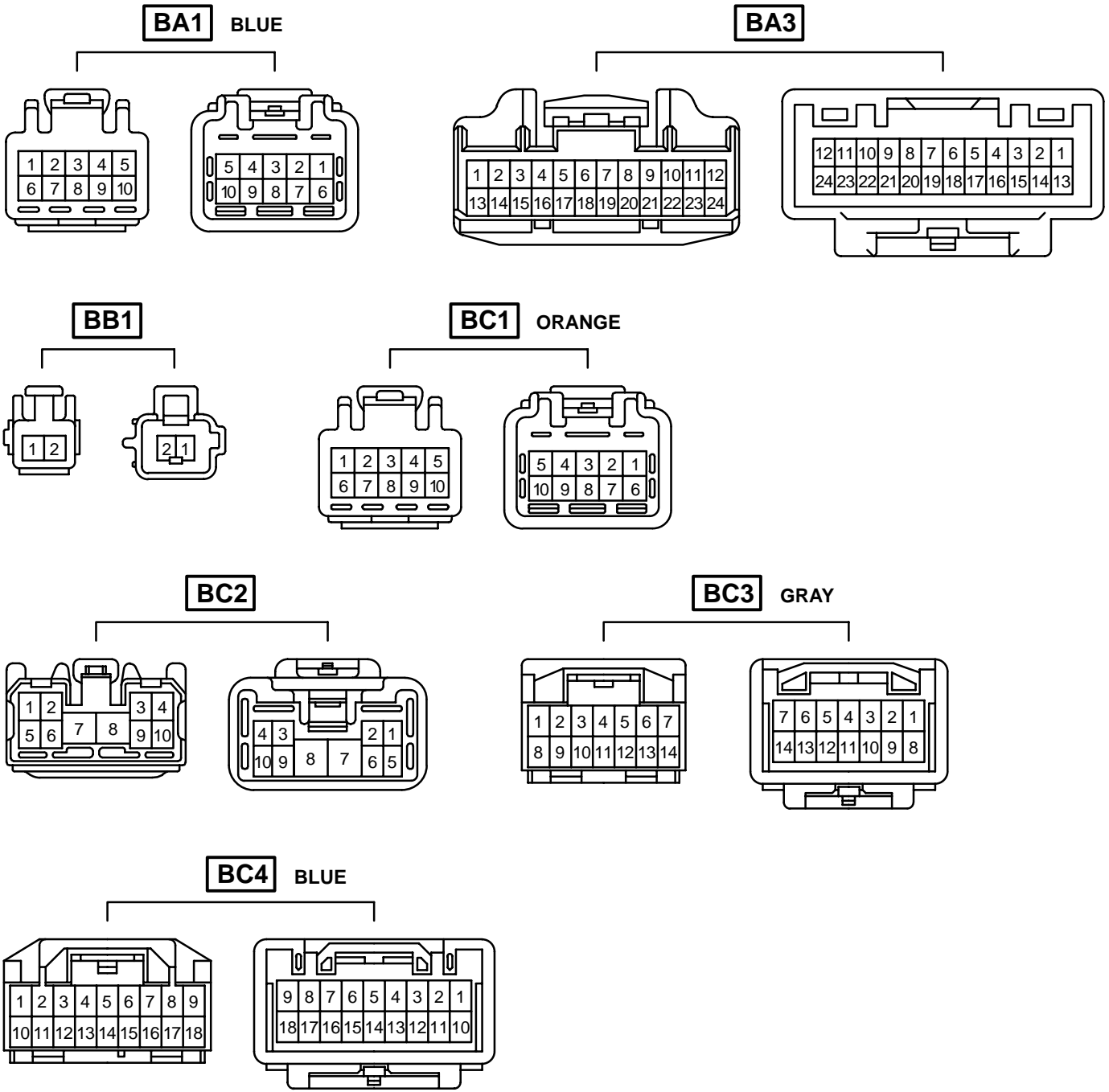
- : Location of Connector Joining Wire Harness and Wire Harness
- ▽ : Location of Ground Points



- : Location of Splice Points



Connector Joining Wire Harness and Wire Harness



Code	Joining Wire Harness and Wire Harness (Connector Location)
BA1	Engine Room Main Wire and Floor Wire (Right Side of Room Partition Panel)
BA3	
BB1	Engine Room No.4 Wire and Engine Room Main Wire (Left Side of Room Partition Panel)
BC1	Engine Wire and Engine Room Main Wire (Quarter Panel LH)
BC2	
BC3	
BC4	

