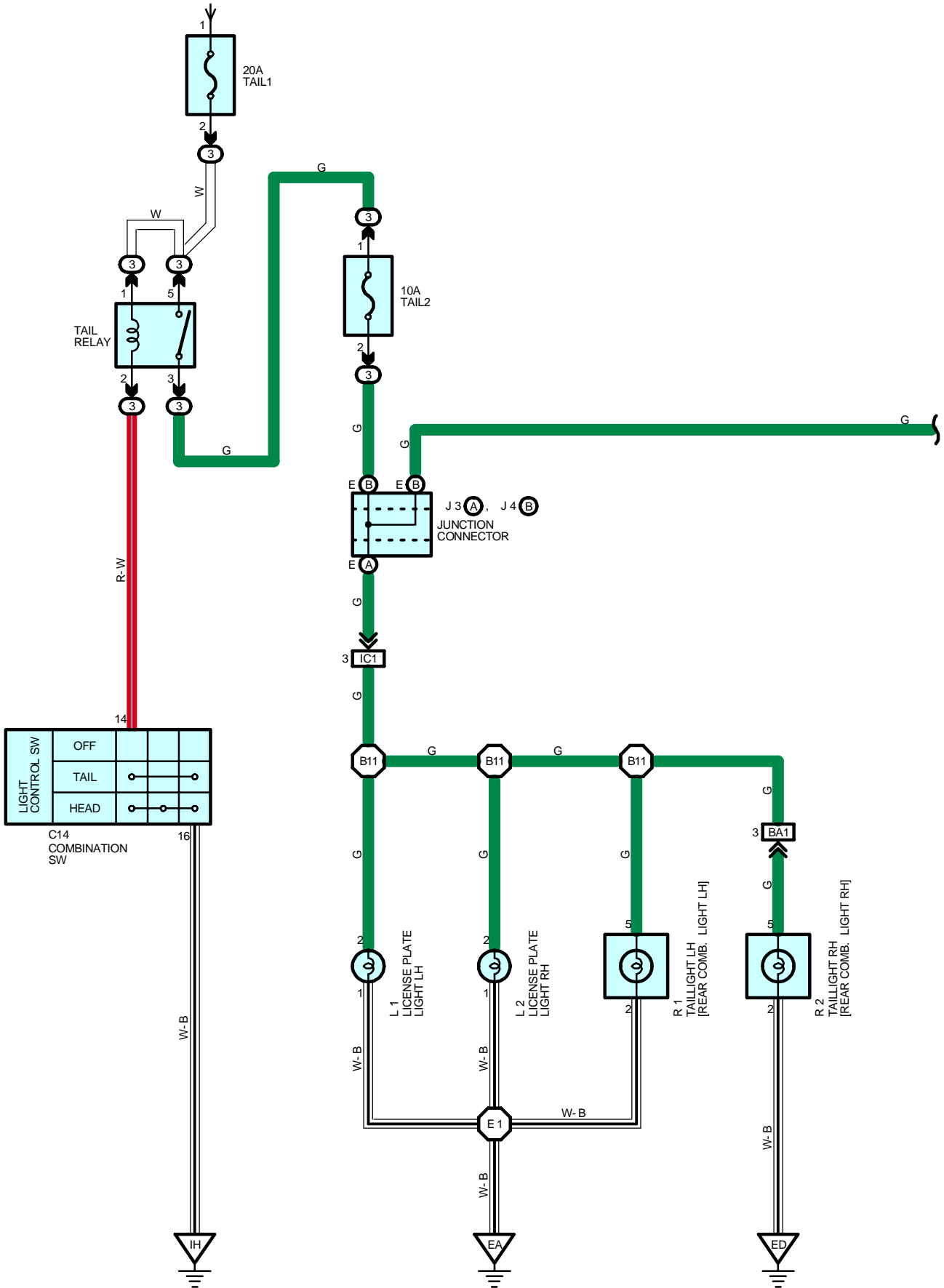
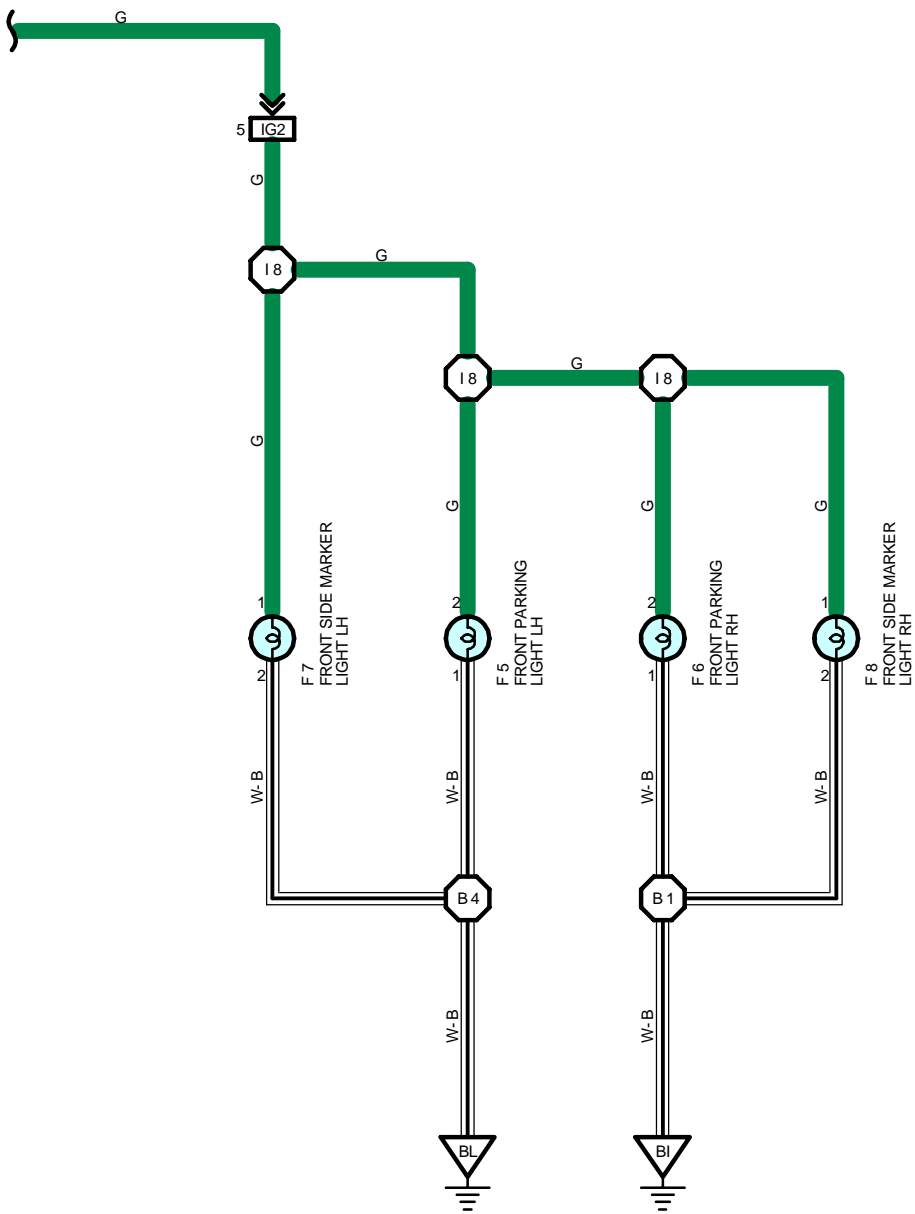


# TAILLIGHT

FROM POWER SOURCE SYSTEM (SEE PAGE 46)





# TAILLIGHT

## SERVICE HINTS

### TAIL RELAY

5-3 : Closed with the light control SW at **TAIL** or **HEAD** position

### C14 COMBINATION SW

14-16 : Closed with the light control SW at **TAIL** or **HEAD** position

## ○ : PARTS LOCATION

Code	See Page	Code	See Page	Code	See Page
C14	32	F8	34	L2	31
F5	34	J3	A	R1	31
F6	34	J4	B	R2	31
F7	34	L1	31		

## ○ : RELAY BLOCKS

Code	See Page	Relay Blocks (Relay Block Location)
3	24	R/B No.3 (Left Side of Instrument Panel)

## □ : CONNECTOR JOINING WIRE HARNESS AND WIRE HARNESS

Code	See Page	Joining Wire Harness and Wire Harness (Connector Location)
IC1	38	Engine Room Main Wire and Instrument Panel Wire (Left Kick Panel)
IG2	40	Luggage Room Wire and Instrument Panel Wire (Under the Instrument Panel Center)
BA1	42	Engine Room Main Wire and Floor Wire (Right Side of Room Partition Panel)

## ▽ : GROUND POINTS

Code	See Page	Ground Points Location
EA	36	Suspension Tower Rear LH
ED	36	Suspension Tower Rear RH
IH	38	Right Kick Panel
BI	42	Suspension Tower Front RH
BL	42	Suspension Tower Front LH

## ○ : SPLICE POINTS

Code	See Page	Wire Harness with Splice Points	Code	See Page	Wire Harness with Splice Points
E1	36	Engine Room Main Wire	B4	42	Luggage Room Wire
I8	40	Luggage Room Wire	B11	42	Engine Room Main Wire
B1	42				

