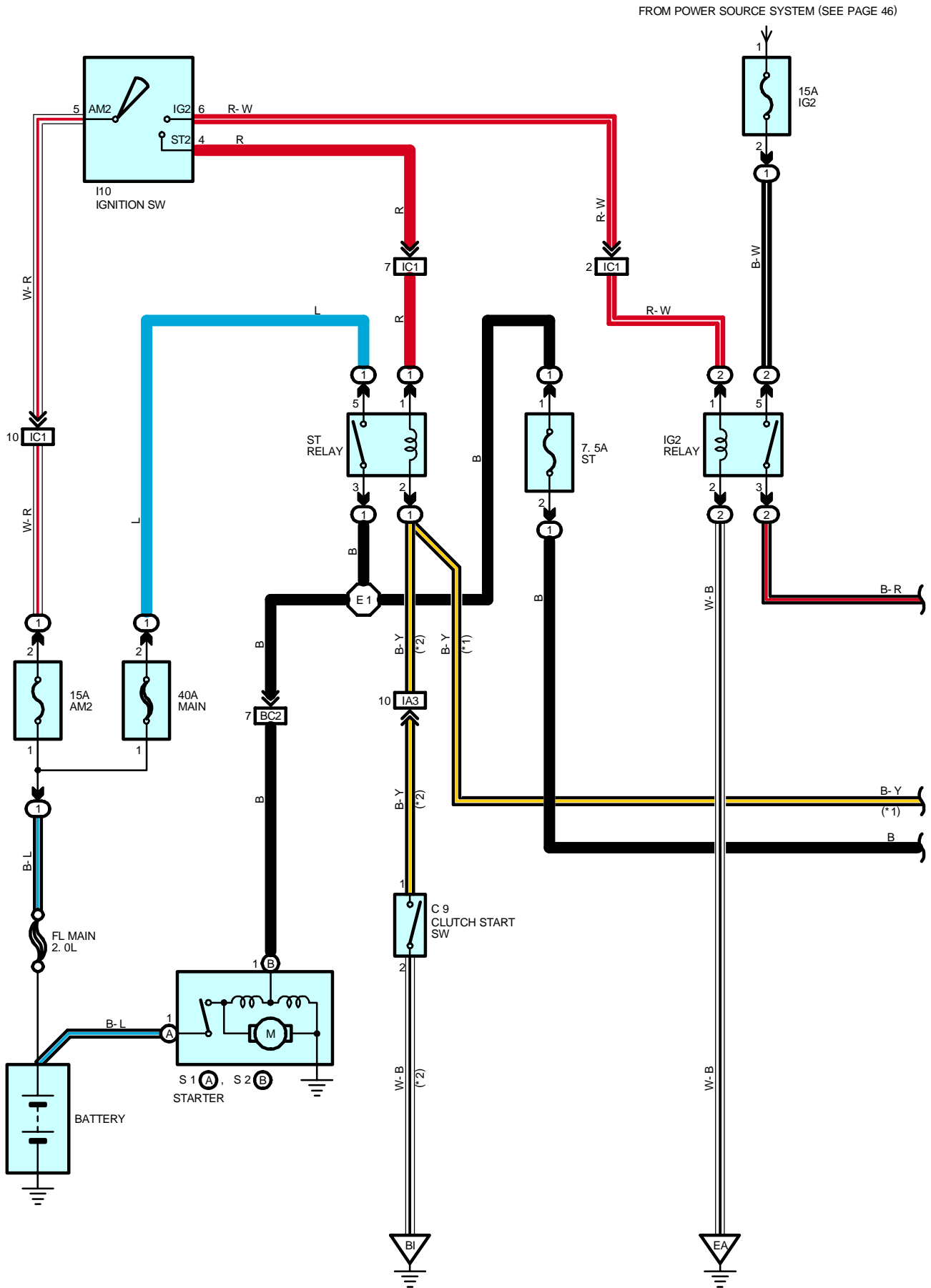
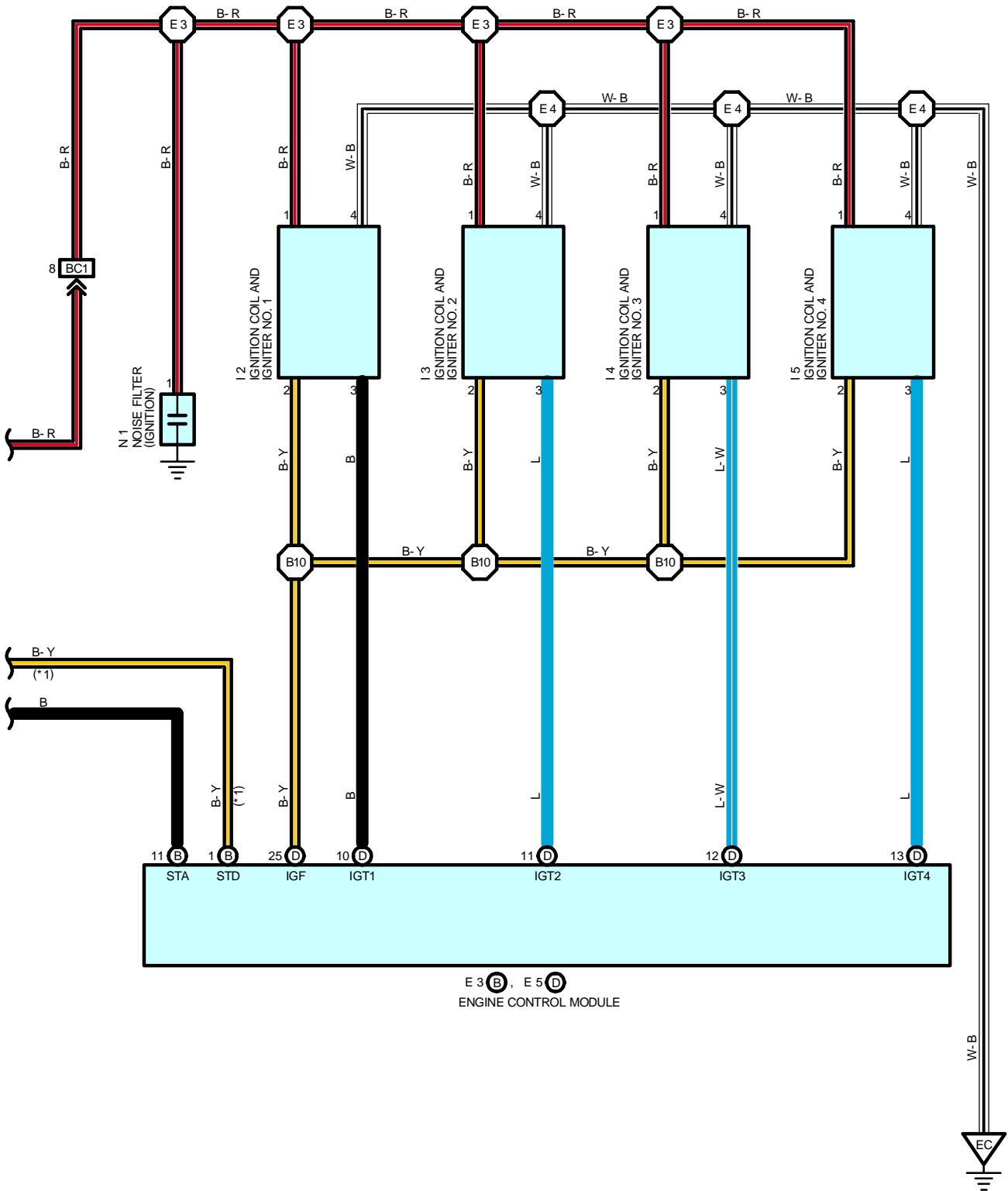


STARTING AND IGNITION



* 1 : SEQUENTIAL MANUAL TRANSMISSION
 * 2 : MT



STARTING AND IGNITION

SERVICE HINTS

I10 IGNITION SW

- 5-6 : Closed with the ignition SW at **ON** or **ST** position
- 5-4 : Closed with the ignition SW at **ST** position

C9 CLUTCH START SW

- 1-2 : Closed with the clutch pedal fully depressed

ST RELAY

- 5-3 : Closed with the clutch start SW on and the ignition SW at **ST** position

S1 (A), S2 (B) STARTER

- Points closed with the clutch start SW on and the ignition SW at **ST** position

○ : PARTS LOCATION

Code	See Page	Code	See Page	Code	See Page
C9	32	I3	30	N1	31
E3	B 34	I4	30	S1	A 31
E5	D 34	I5	30	S2	B 31
I2	30	I10	33		

○ : RELAY BLOCKS

Code	See Page	Relay Blocks (Relay Block Location)
1	22	Fusible Link Block (Engine Compartment Left)
2	23	Engine Room R/B (Left Side of Room Partition Panel)

□ : CONNECTOR JOINING WIRE HARNESS AND WIRE HARNESS

Code	See Page	Joining Wire Harness and Wire Harness (Connector Location)
IA3	38	Engine Room Main Wire and Luggage Room Wire (Left Kick Panel)
IC1	38	Engine Room Main Wire and Instrument Panel Wire (Left Kick Panel)
BC1	42	Engine Wire and Engine Room Main Wire (Quarter Panel LH)
BC2		

▽ : GROUND POINTS

Code	See Page	Ground Points Location
EA	36	Suspension Tower Rear LH
EC	36	Engine Block LH
BI	42	Suspension Tower Front RH

○ : SPLICE POINTS

Code	See Page	Wire Harness with Splice Points	Code	See Page	Wire Harness with Splice Points
E1	36	Engine Room Main Wire	E4	36	Engine Wire
E3	36	Engine Wire	B10	42	

