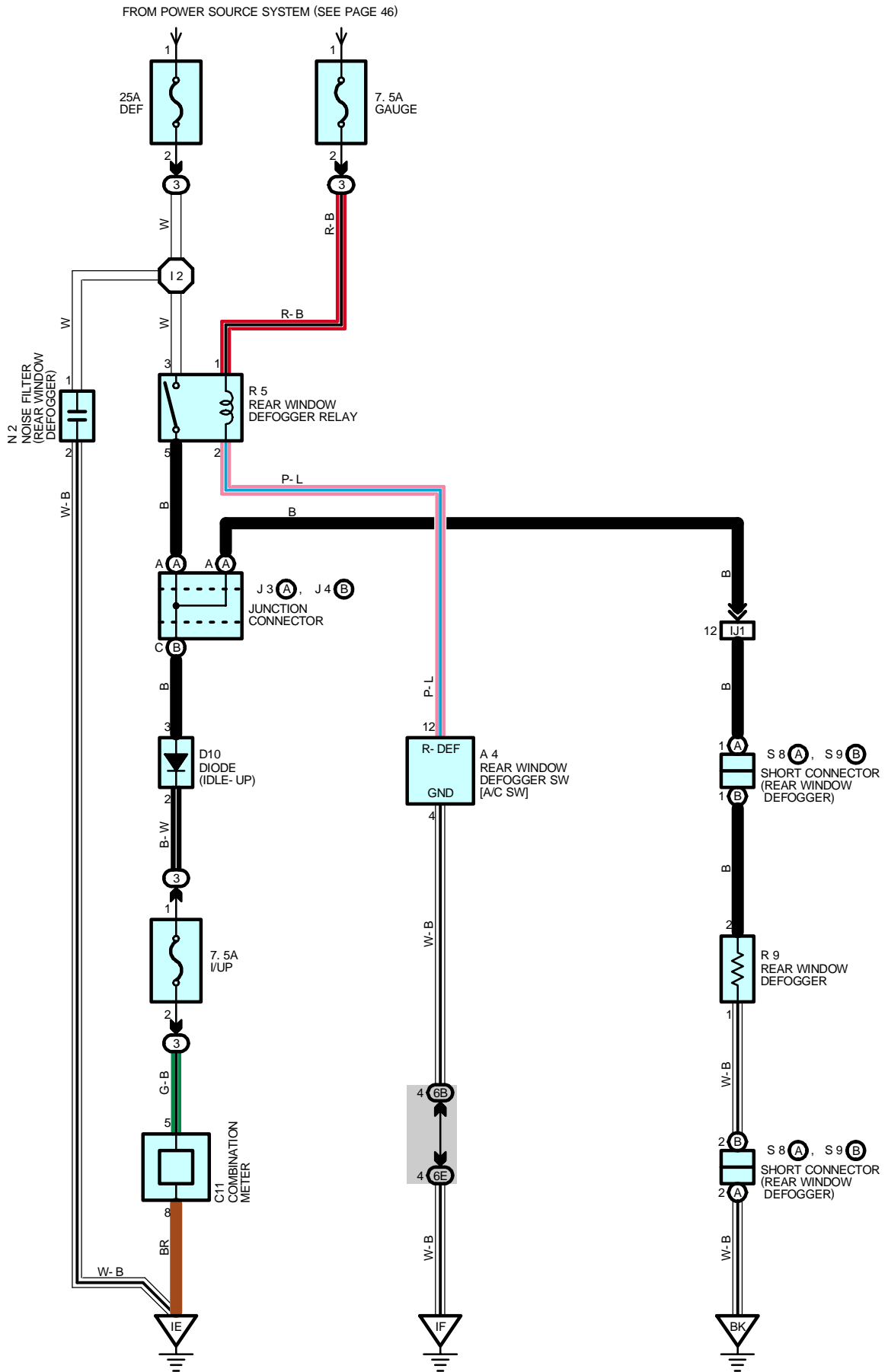


REAR WINDOW DEFOGGER



SERVICE HINTS

R5 REAR WINDOW DEFOGGER RELAY

5-3 : Closed with the ignition SW at **ON** position and the rear window defogger SW [A/C SW] on

A4 REAR WINDOW DEFOGGER SW [A/C SW]

4-GROUND : Always continuity

○ : PARTS LOCATION

Code	See Page	Code	See Page	Code	See Page		
A4	32	J4	B	33	S8	A	35
C11	32	N2	33	S9	B	35	
D10	32	R5	33				
J3	A	R9	35				

○ : RELAY BLOCKS

Code	See Page	Relay Blocks (Relay Block Location)
3	24	R/B No.3 (Left Side of Instrument Panel)

○ : JUNCTION BLOCK AND WIRE HARNESS CONNECTOR

Code	See Page	Junction Block and Wire Harness (Connector Location)
6B	26	Instrument Panel Wire and J/B No.6 (Instrument Panel Brace LH)
6E		

□ : CONNECTOR JOINING WIRE HARNESS AND WIRE HARNESS

Code	See Page	Joining Wire Harness and Wire Harness (Connector Location)
IJ1	40	Floor Wire and Instrument Panel Wire (Right Kick Panel)

▽ : GROUND POINTS

Code	See Page	Ground Points Location
IE	38	Left Kick Panel
IF	38	Instrument Panel Brace LH
BK	42	Under the Center Pillar RH

○ : SPLICE POINTS

Code	See Page	Wire Harness with Splice Points	Code	See Page	Wire Harness with Splice Points
I2	40	Instrument Panel Wire			