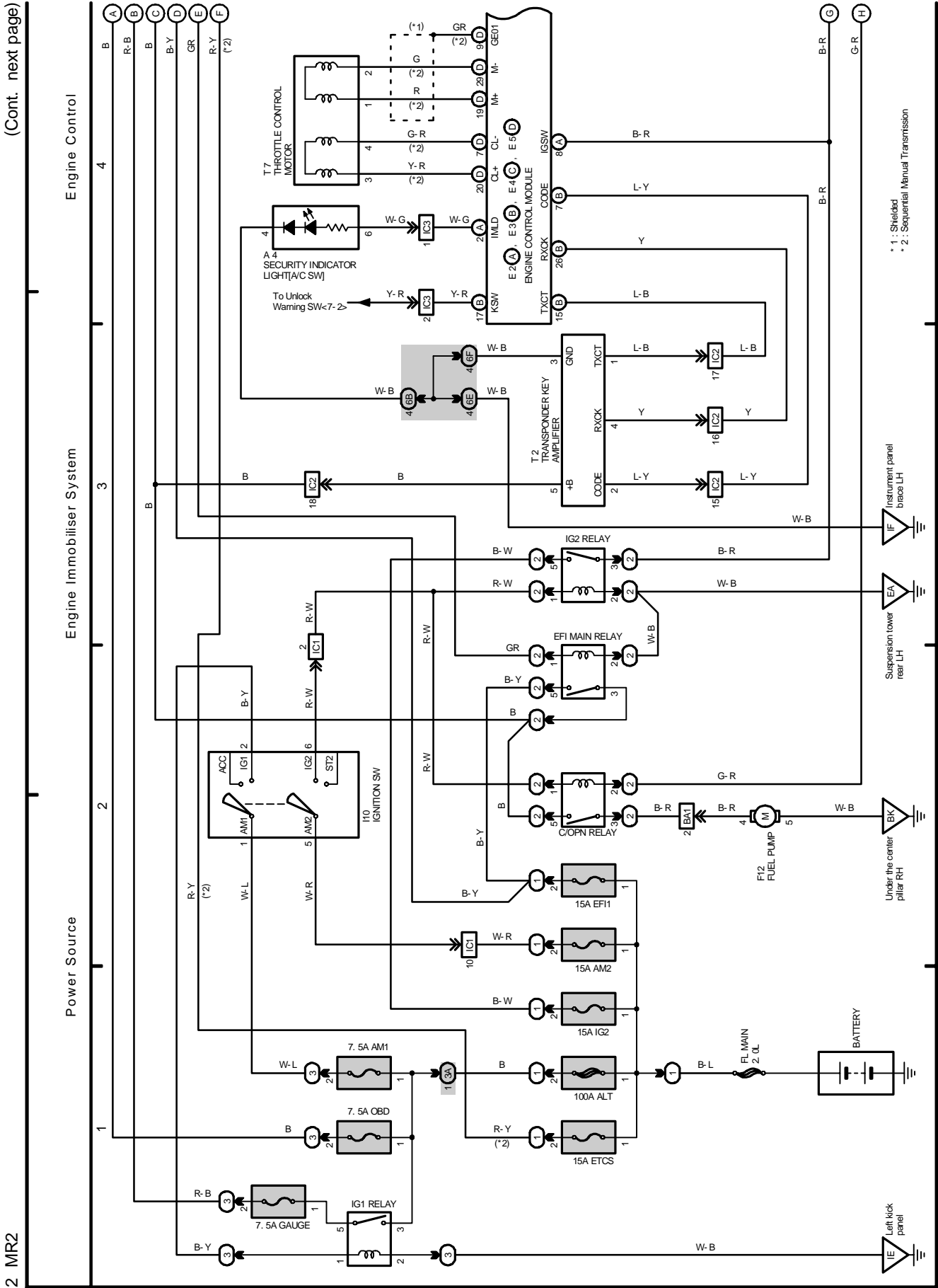


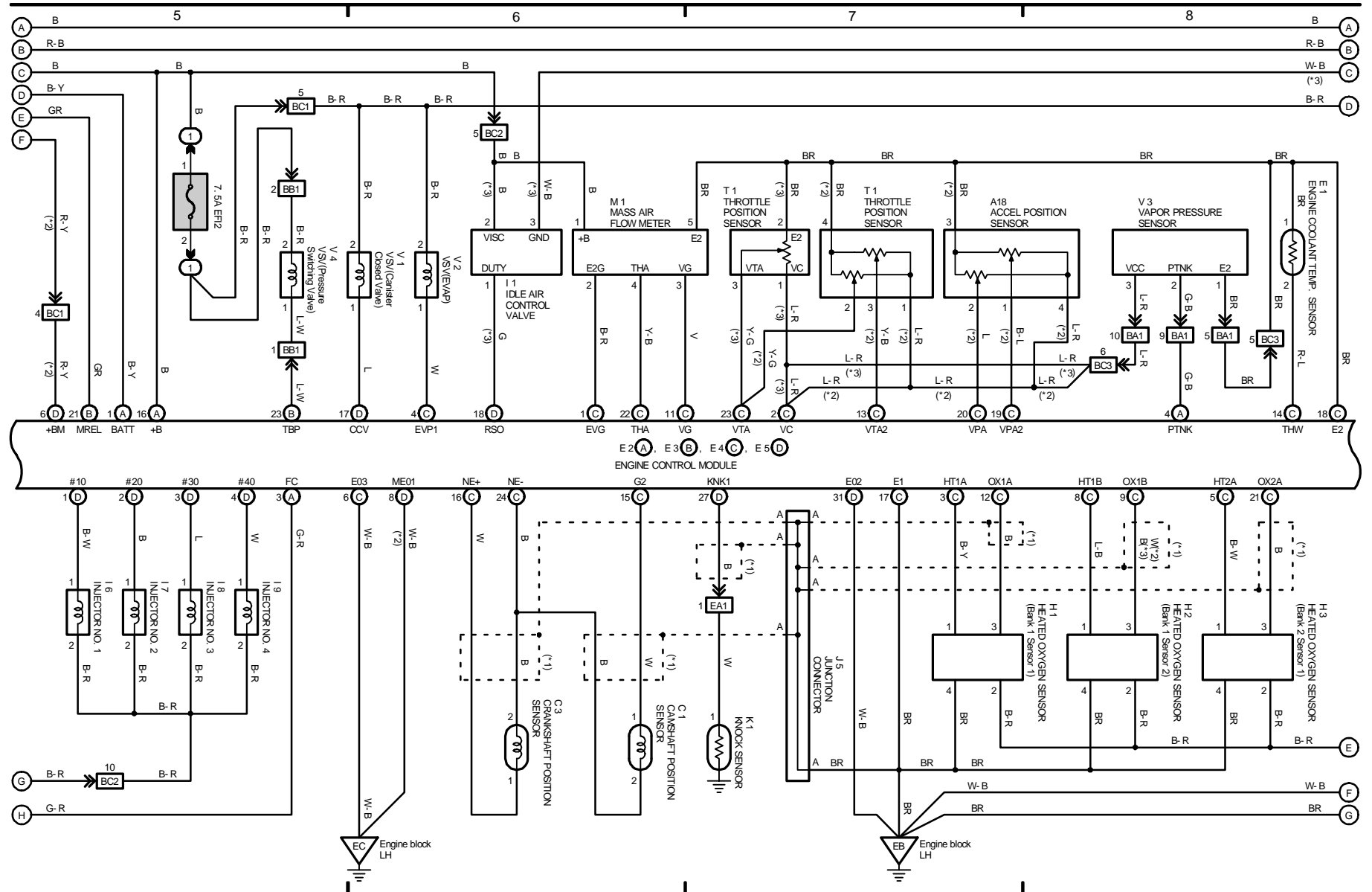
M OVERALL ELECTRICAL WIRING DIAGRAM



2 MR2

Engine Control

- * 1 : Shielded
- * 2 : Sequential Manual Transmission
- * 3 : MT



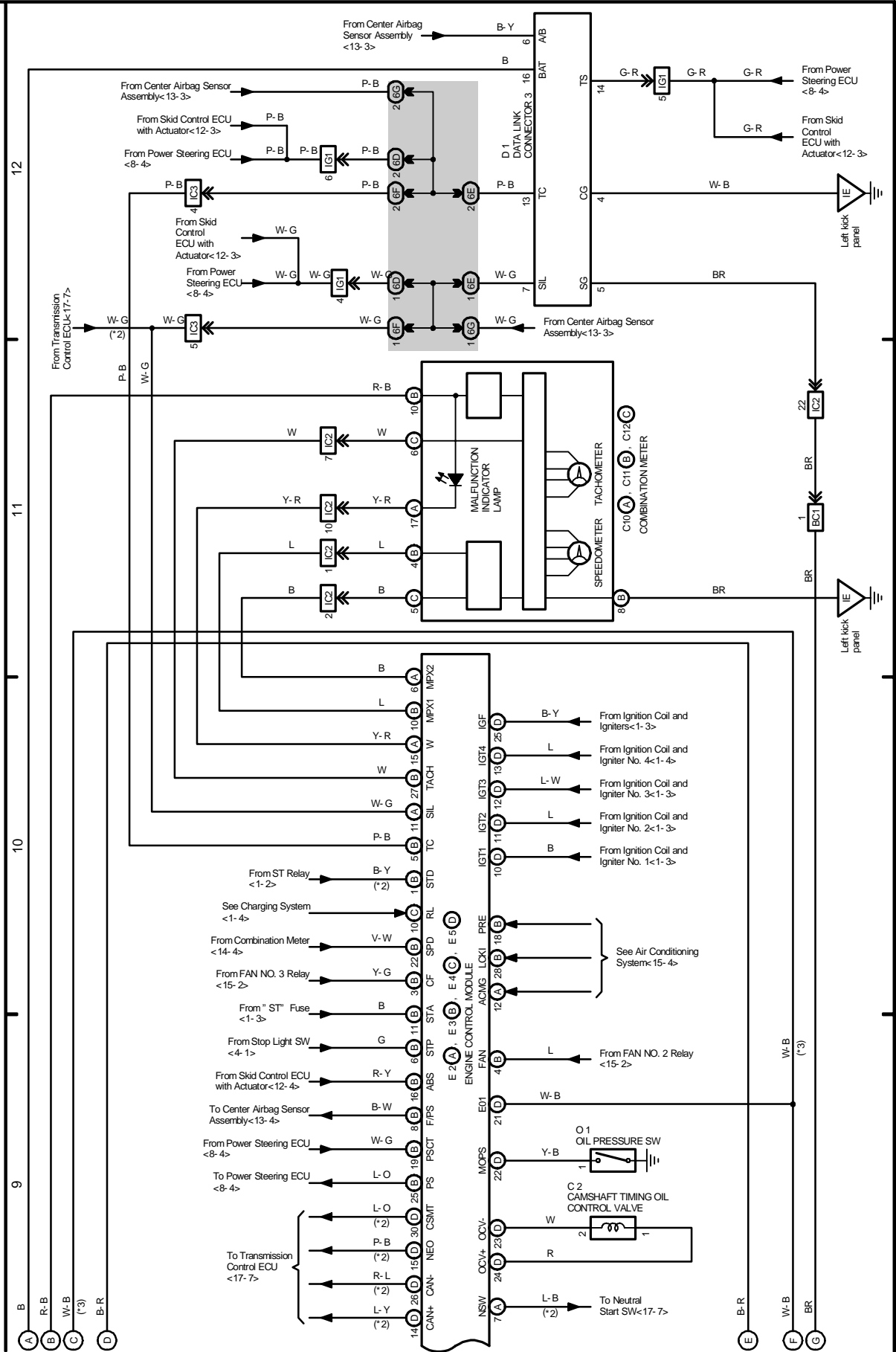
2004 MR2 (EWD539U)

M OVERALL ELECTRICAL WIRING DIAGRAM

2 MR2 (Cont' d)

* 2 : Sequential Manual Transmission
* 3 : IMT

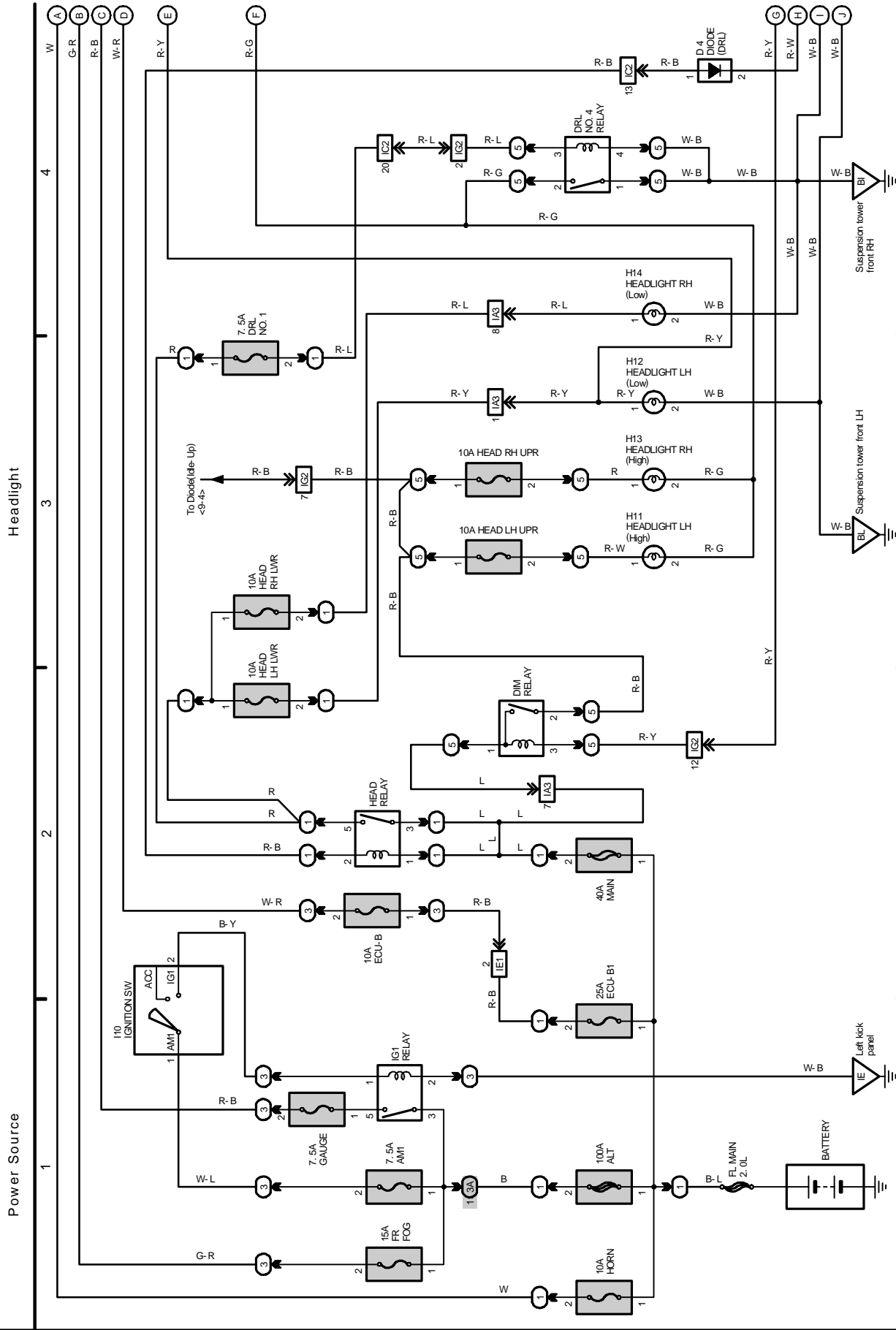
Engine Control



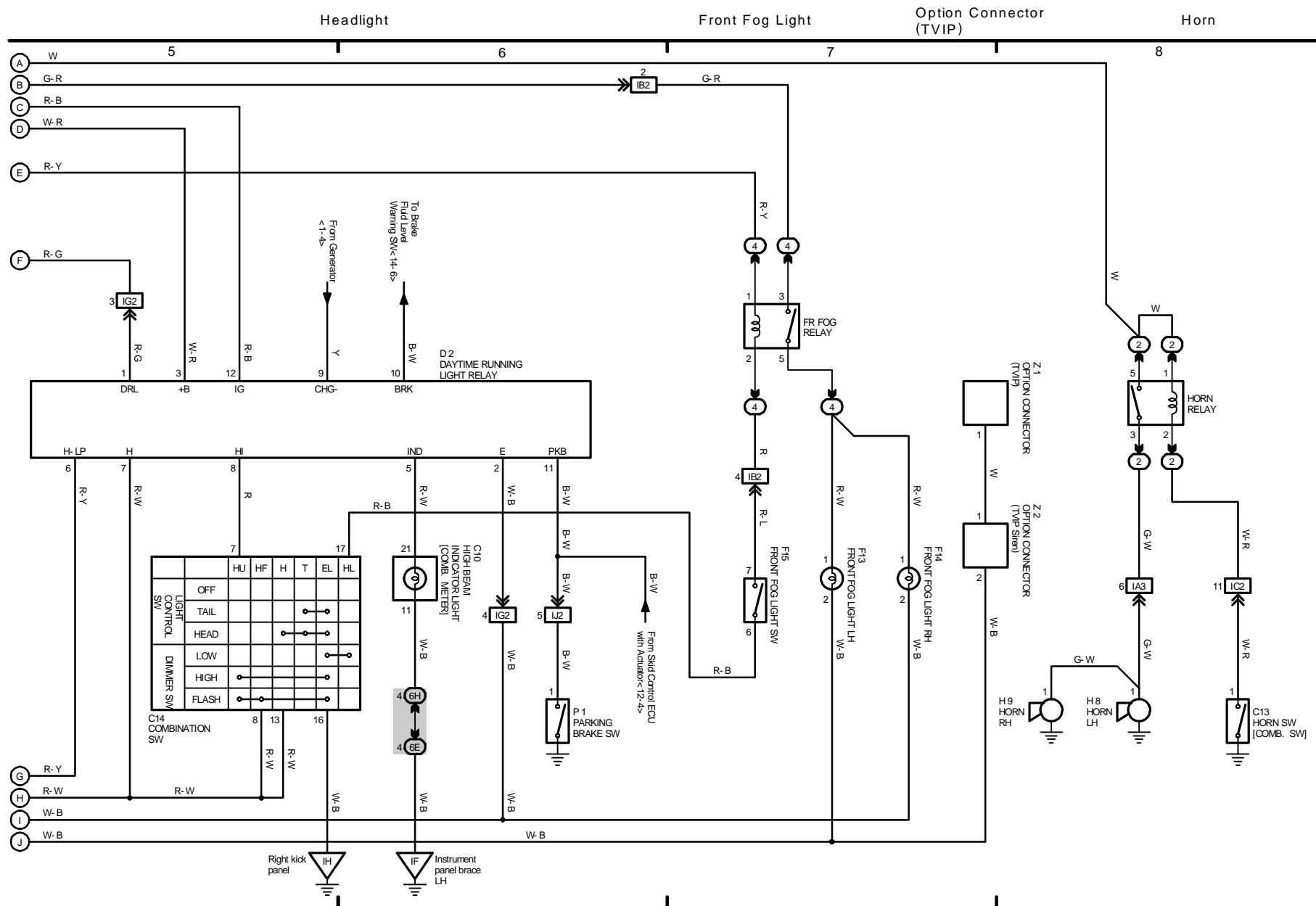
M OVERALL ELECTRICAL WIRING DIAGRAM

(Cont. next page)

3 MR2



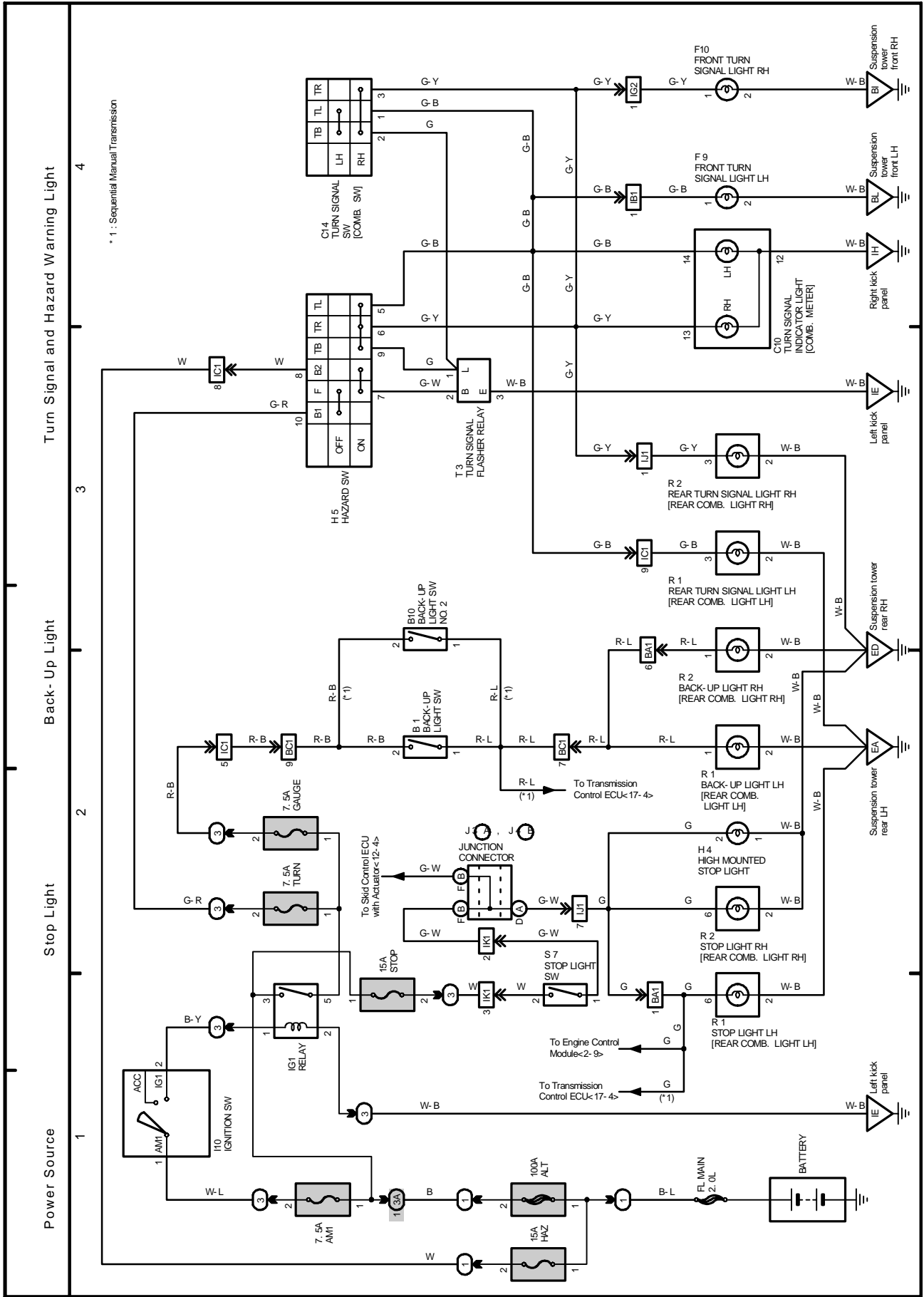
3 MR2 (Cont' d)



2004 MR2 (EWD539U)

M OVERALL ELECTRICAL WIRING DIAGRAM

4 MR2

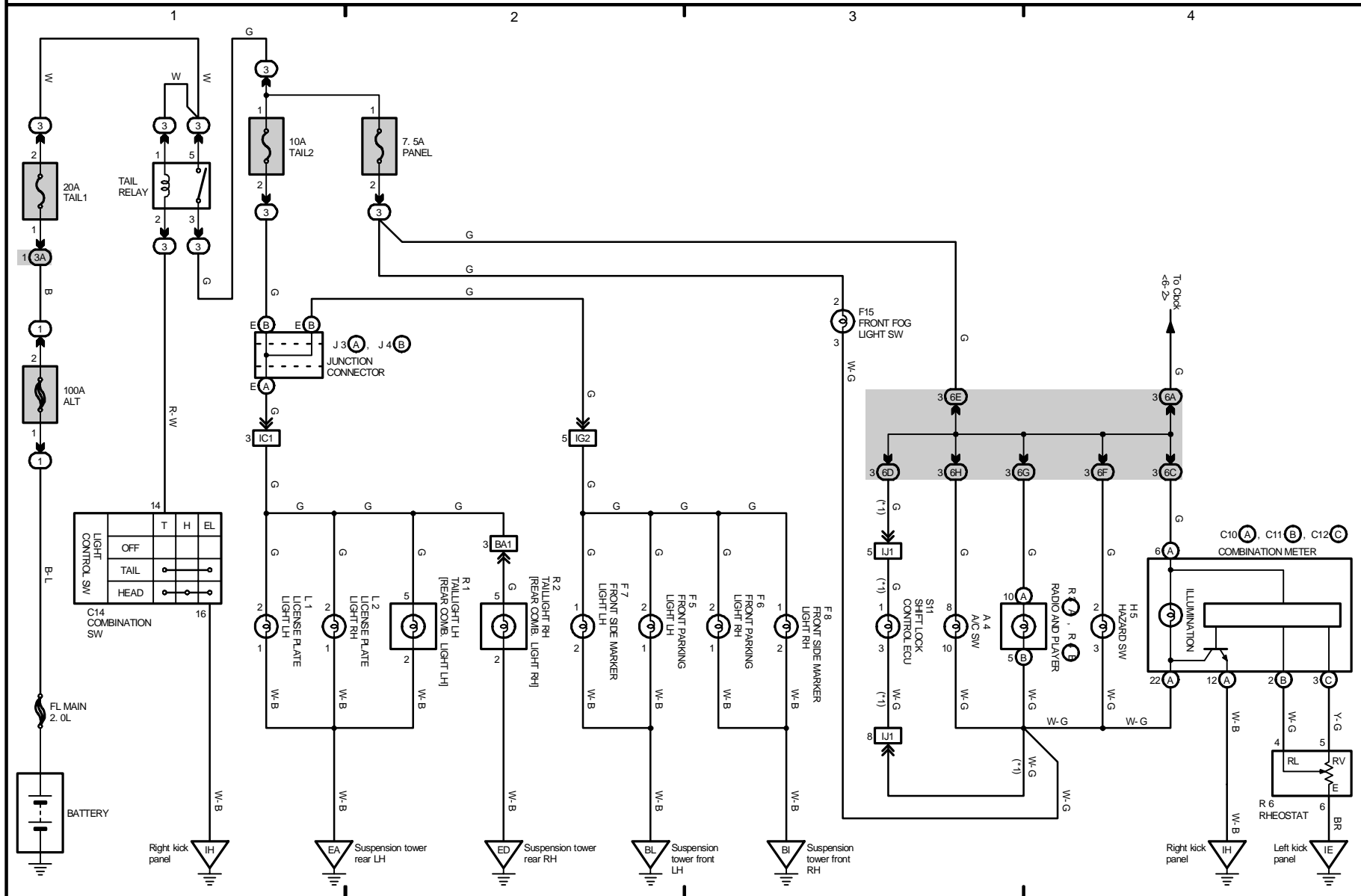


Power Source

Taillight and Illumination

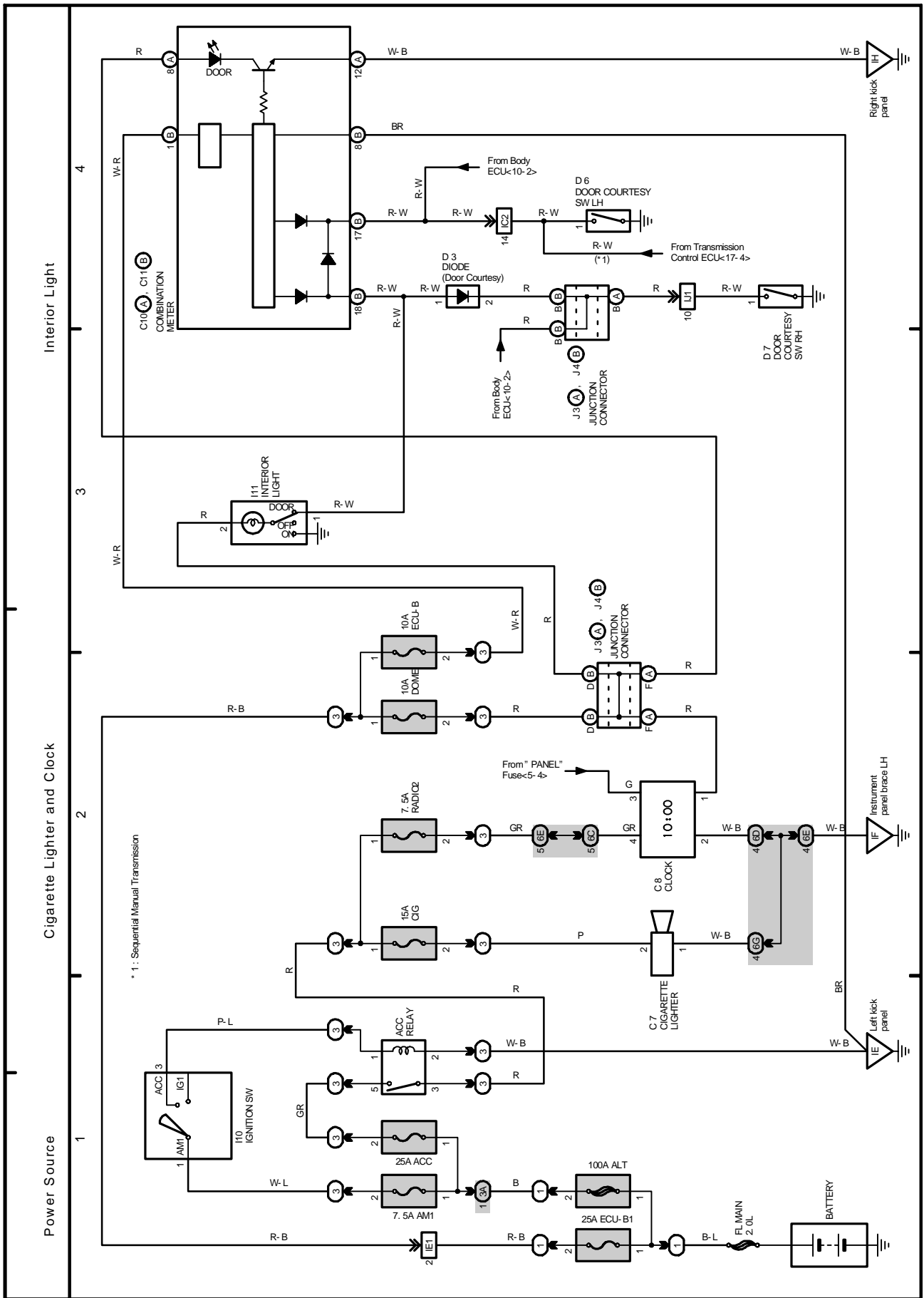
* 1 : Sequential Manual Transmission

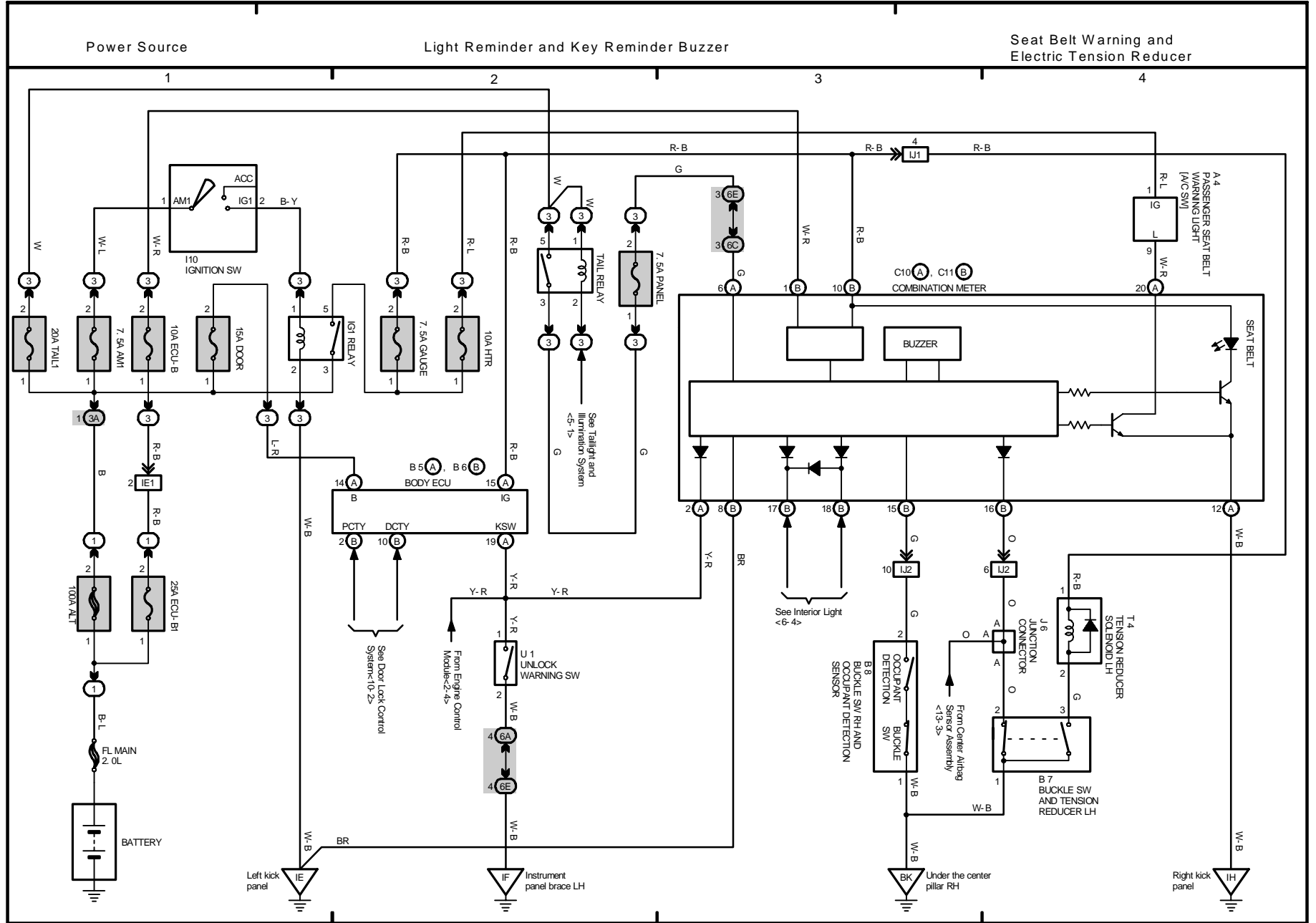
2004 MR2 (EWD539U)



M OVERALL ELECTRICAL WIRING DIAGRAM

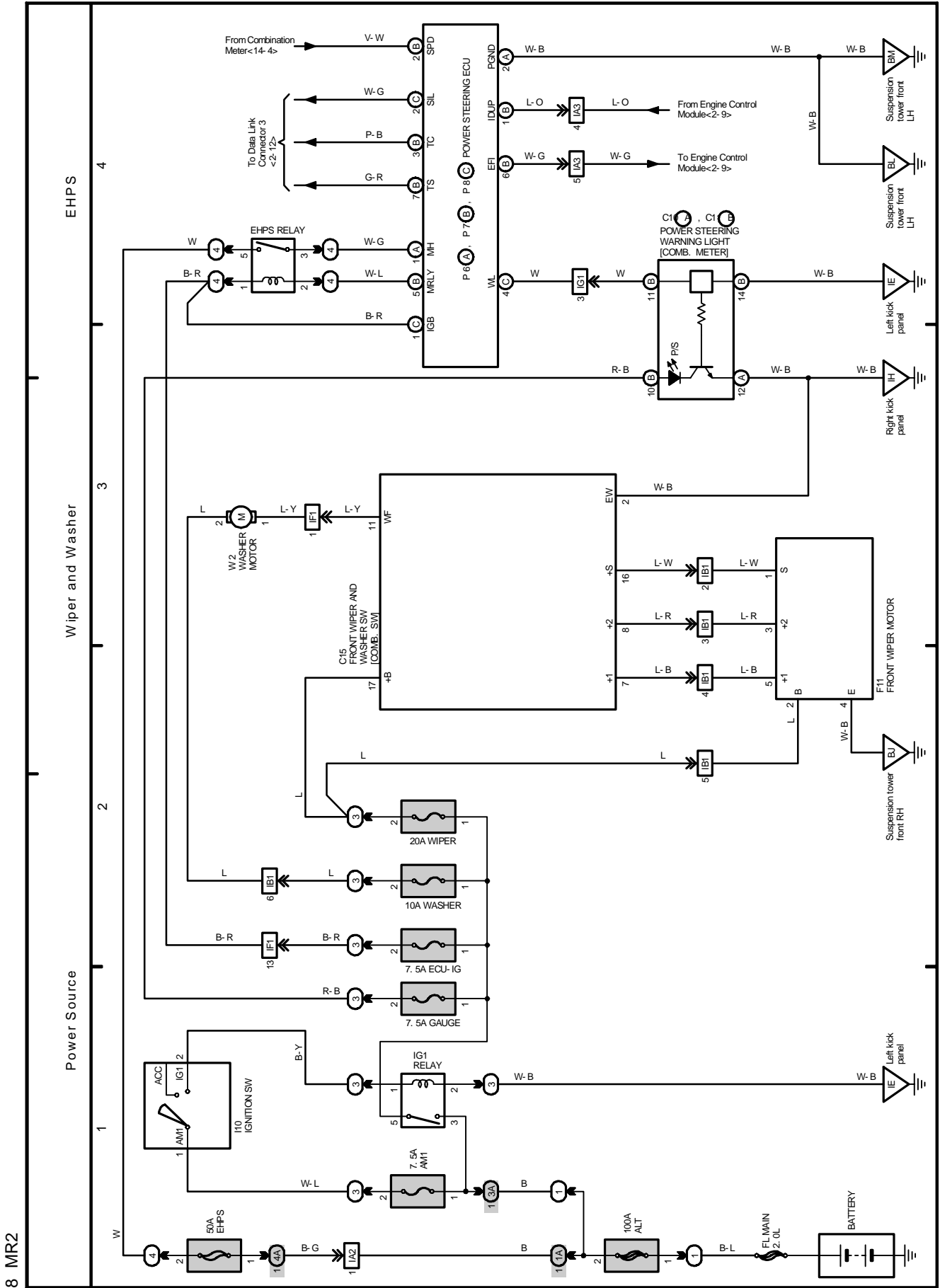
6 MR2

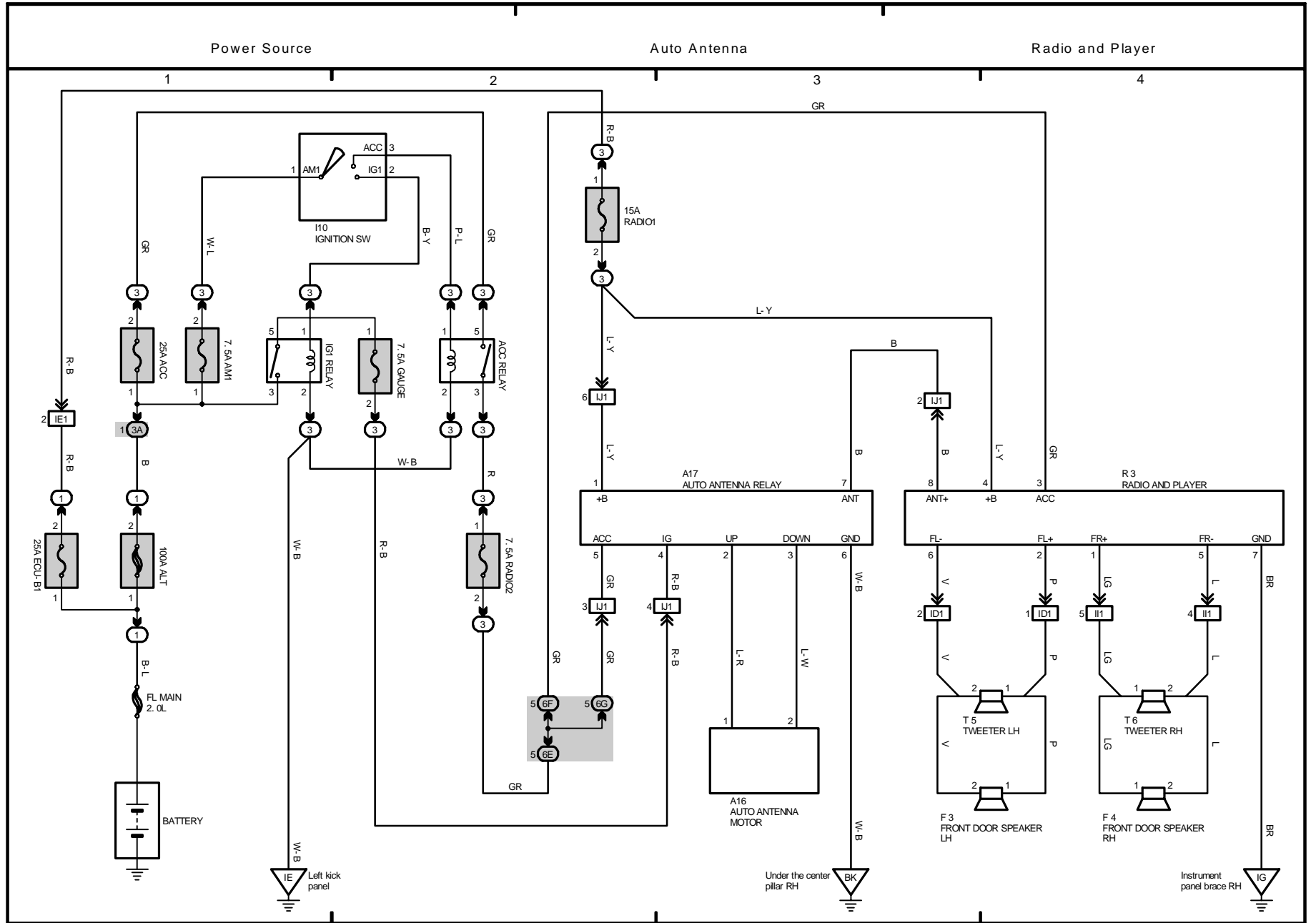




2004 MR2 (EWD539U)

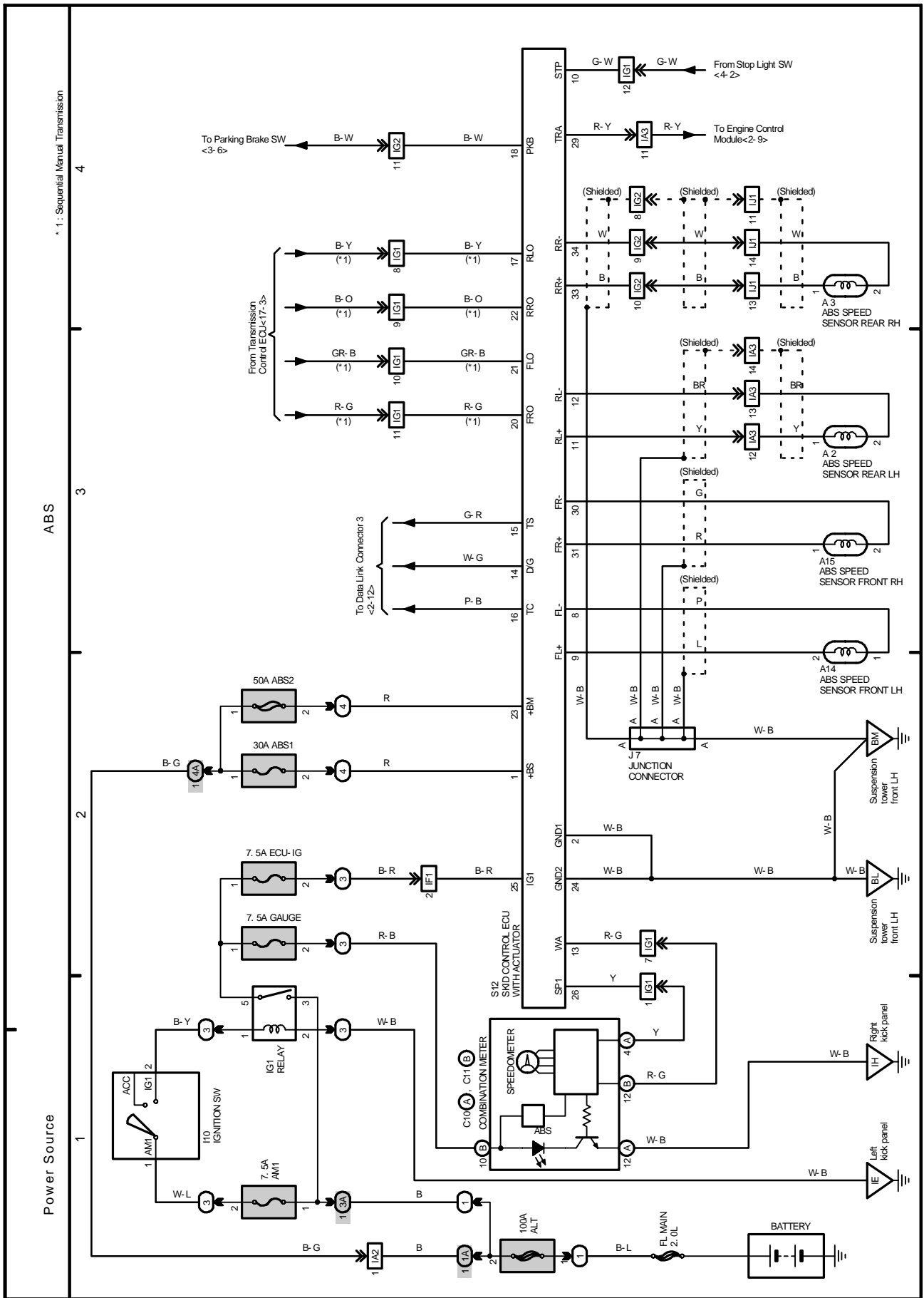
M OVERALL ELECTRICAL WIRING DIAGRAM

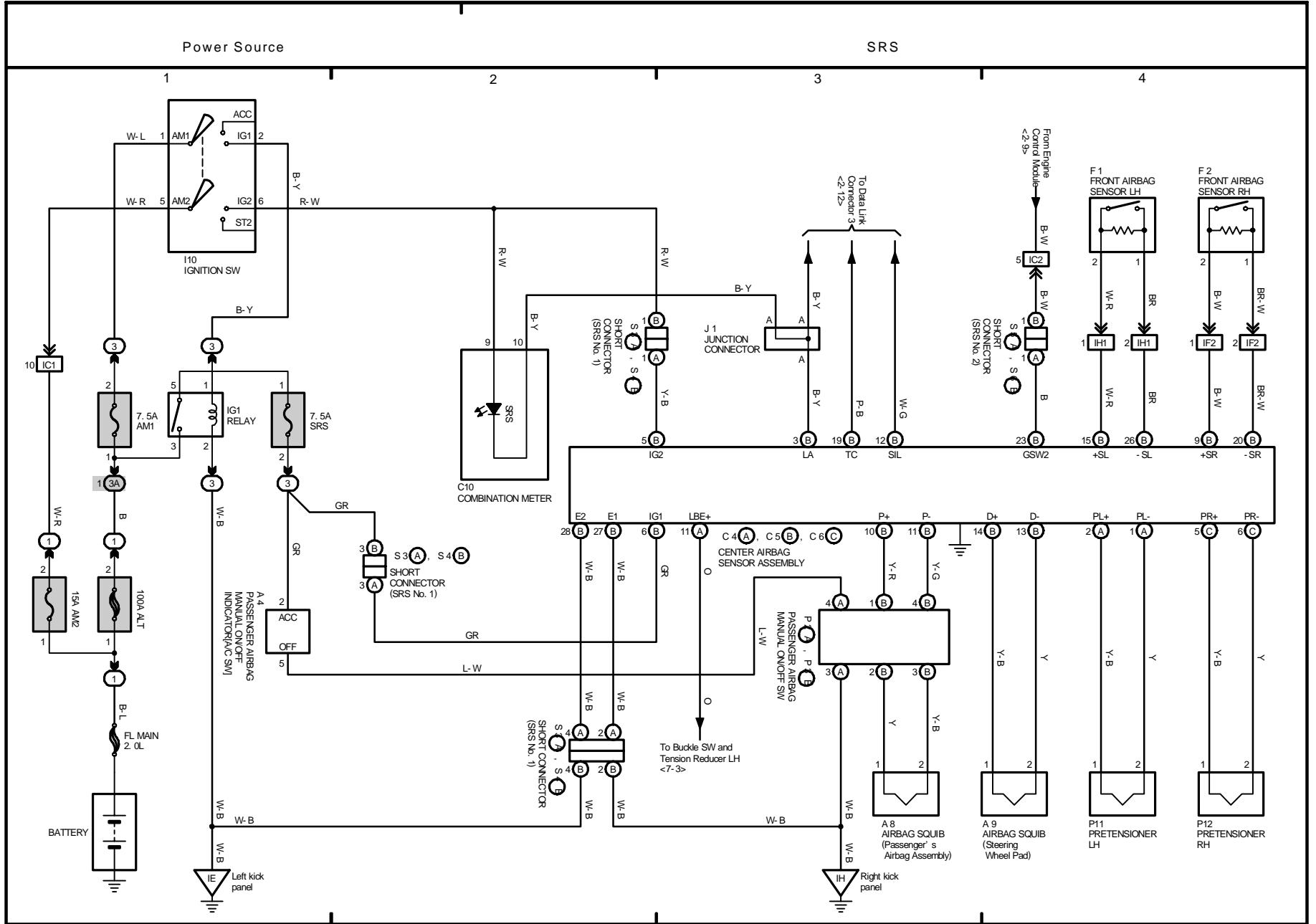




M OVERALL ELECTRICAL WIRING DIAGRAM

12 MR2

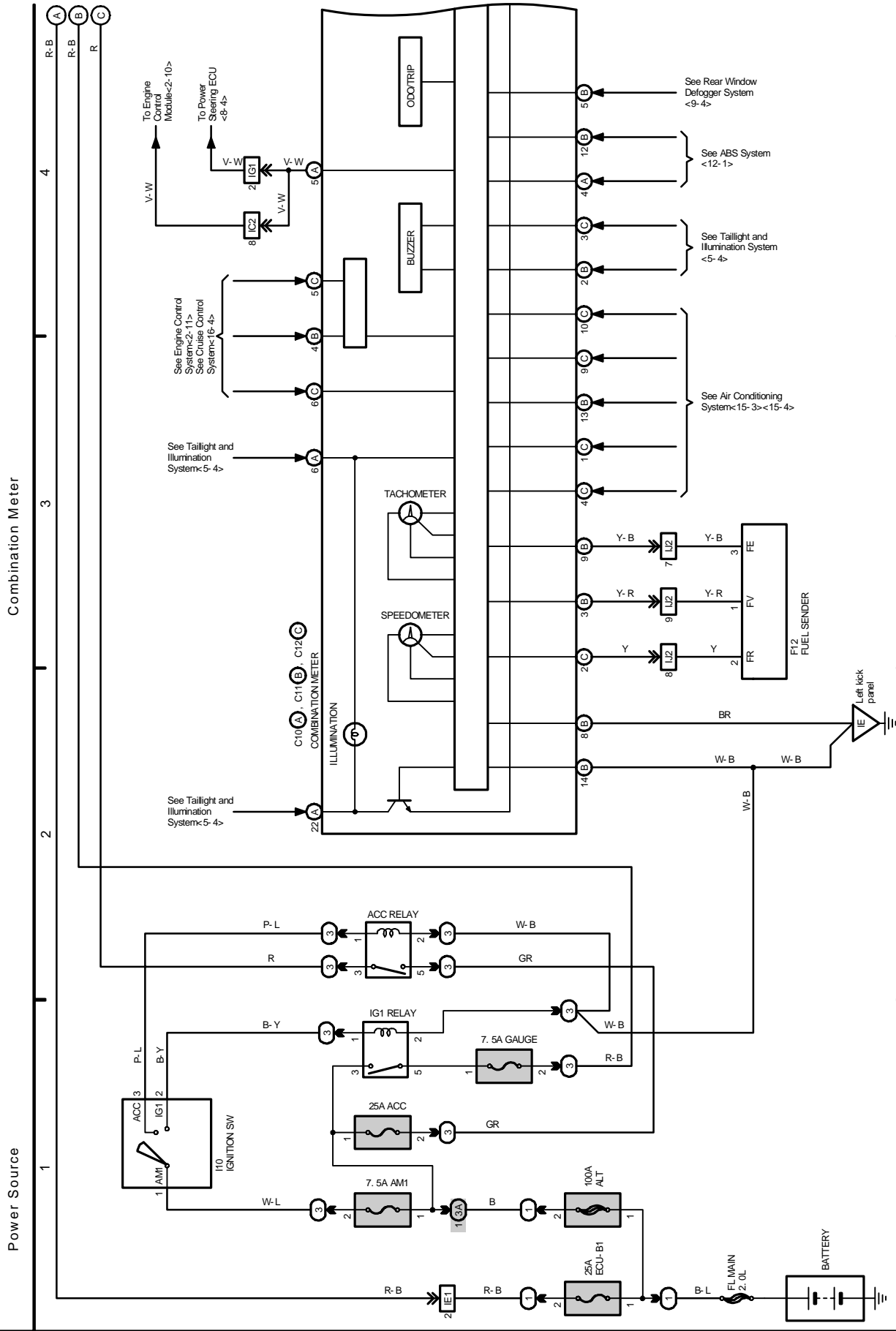




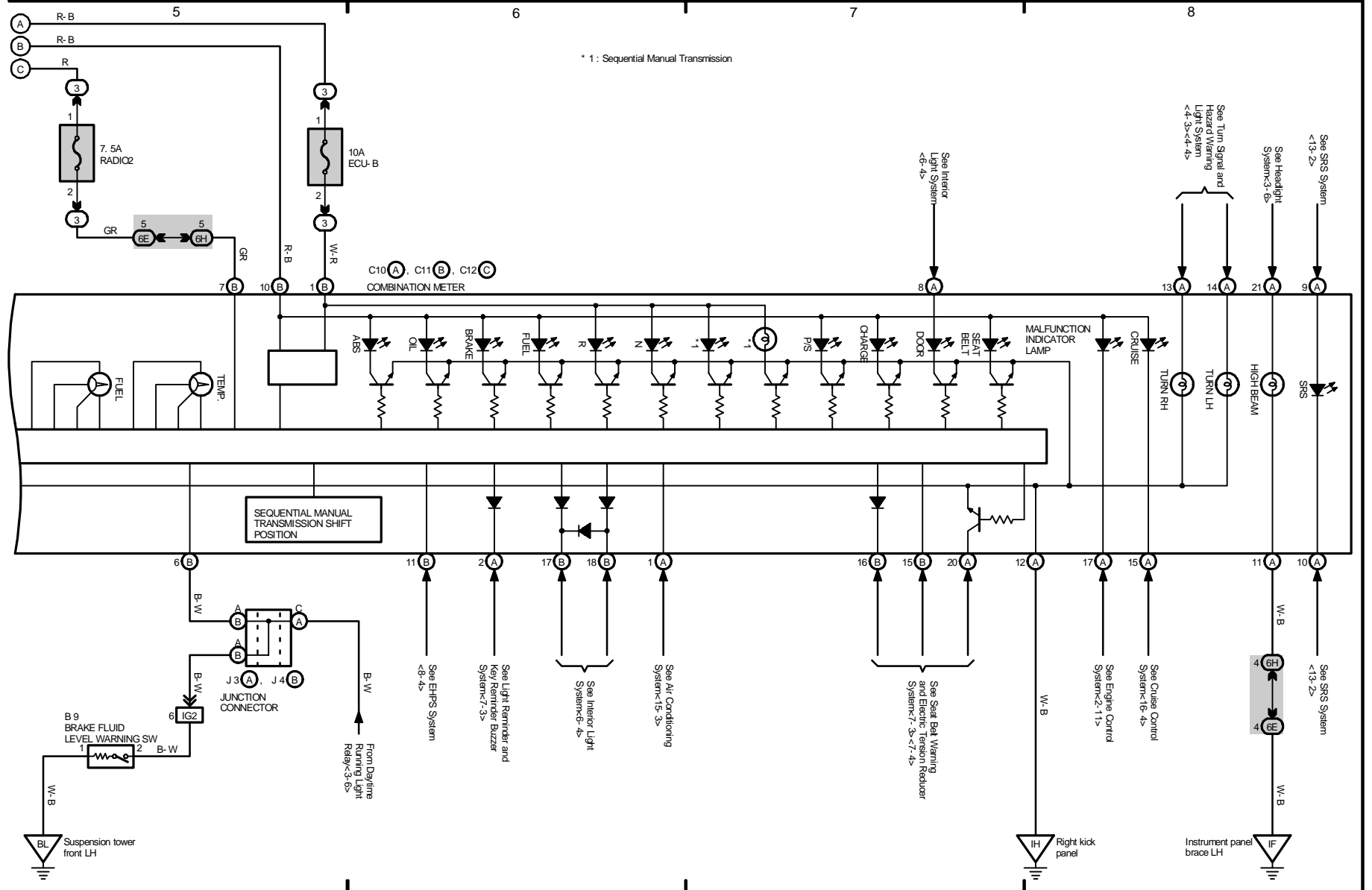
M OVERALL ELECTRICAL WIRING DIAGRAM

(Cont. next page)

14 MR2



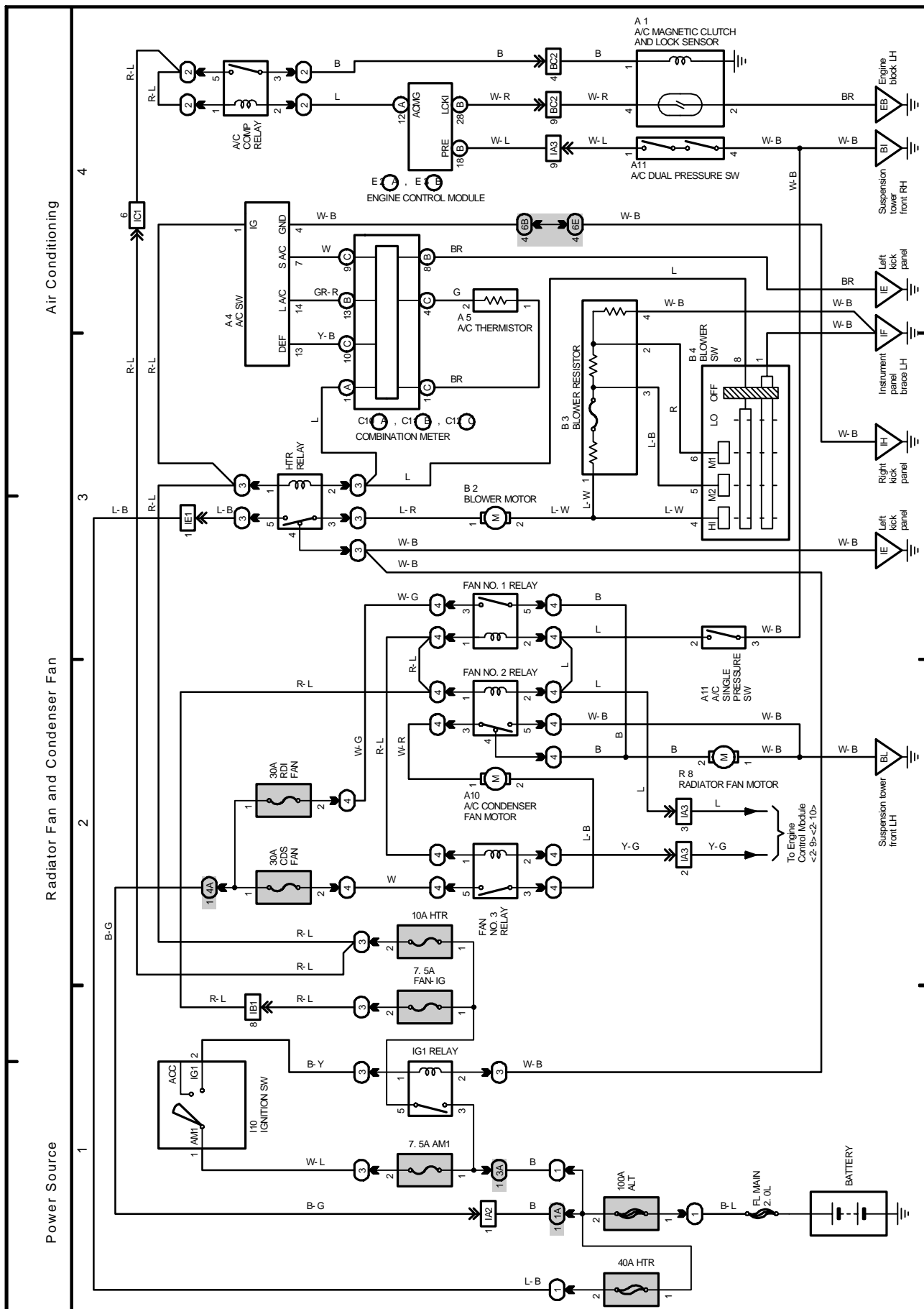
Combination Meter

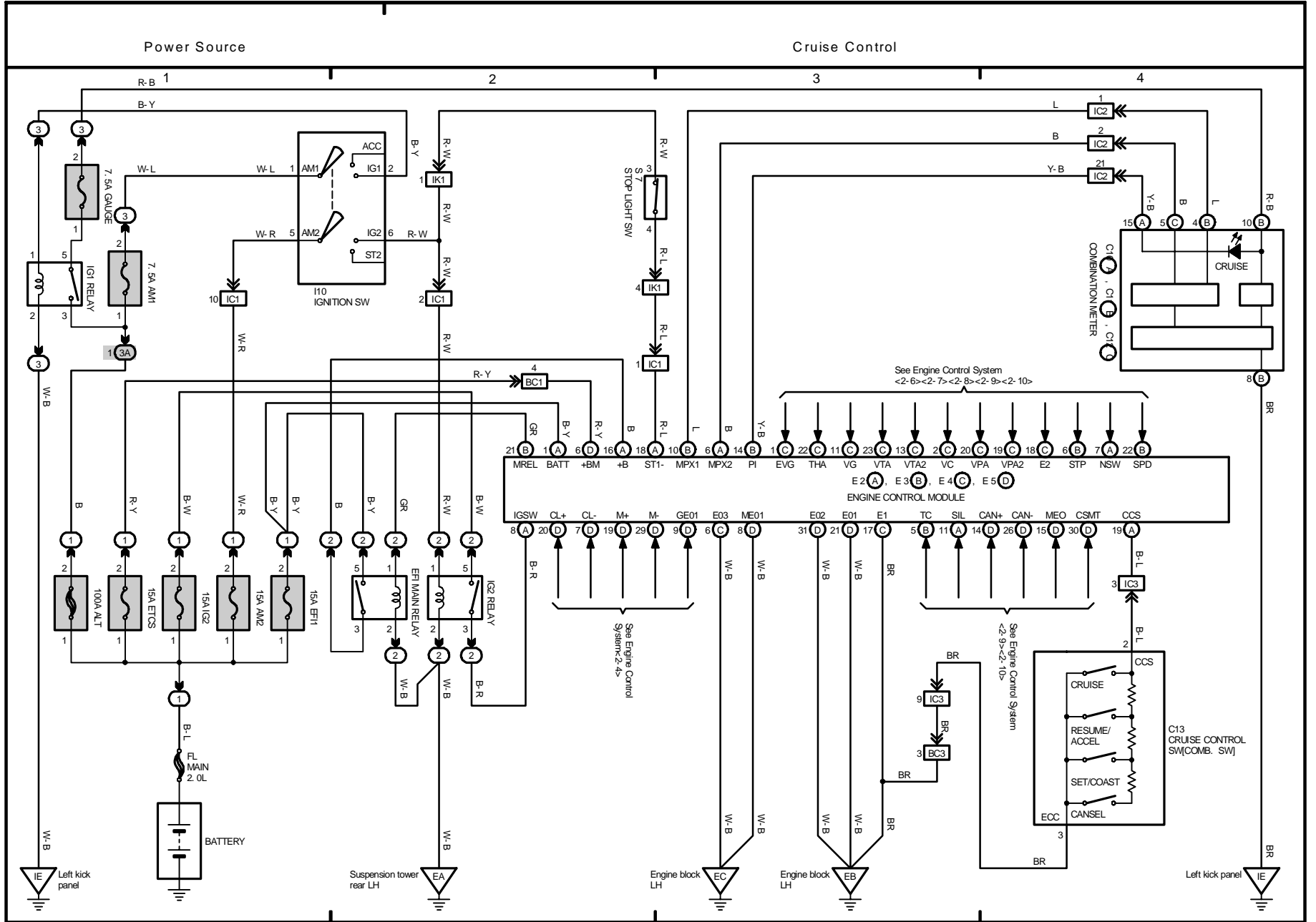


2004 MR2 (EWD539U)

M OVERALL ELECTRICAL WIRING DIAGRAM

15 MR2



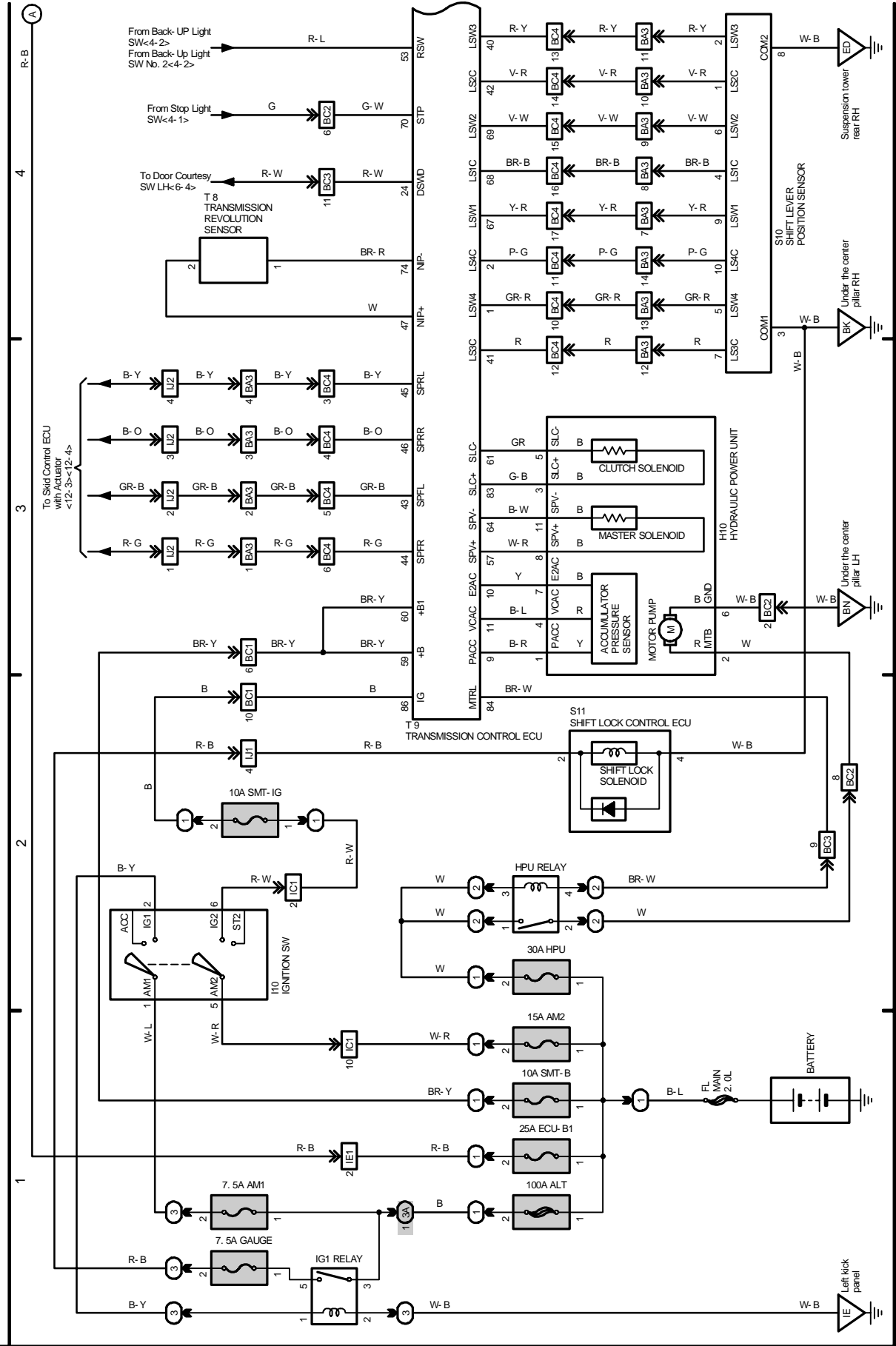


M OVERALL ELECTRICAL WIRING DIAGRAM

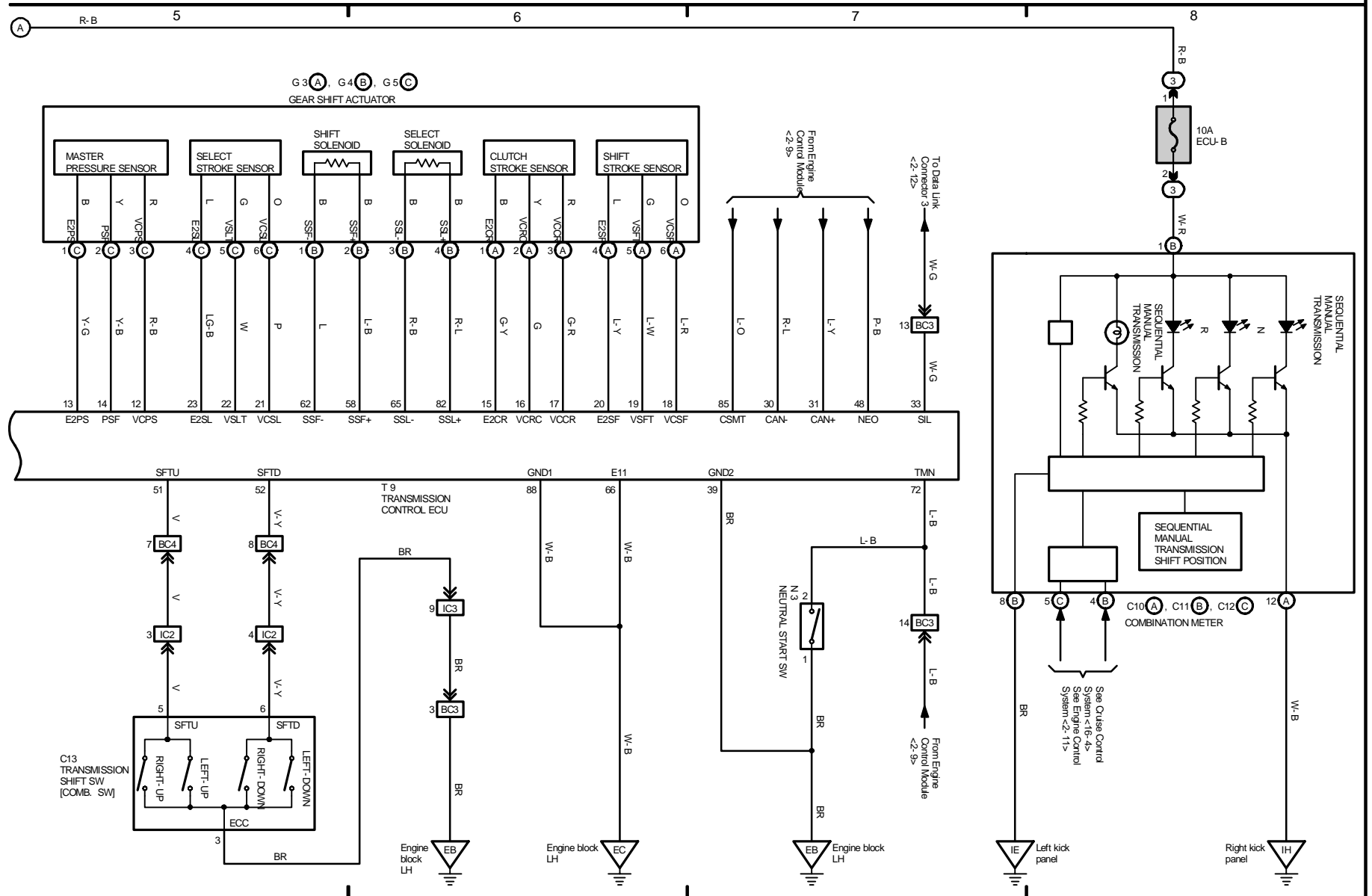
17 MR2

(Cont. next page)

Sequential Manual Transmission



Sequential Manual Transmission



2004 MR2 (EWD539U)