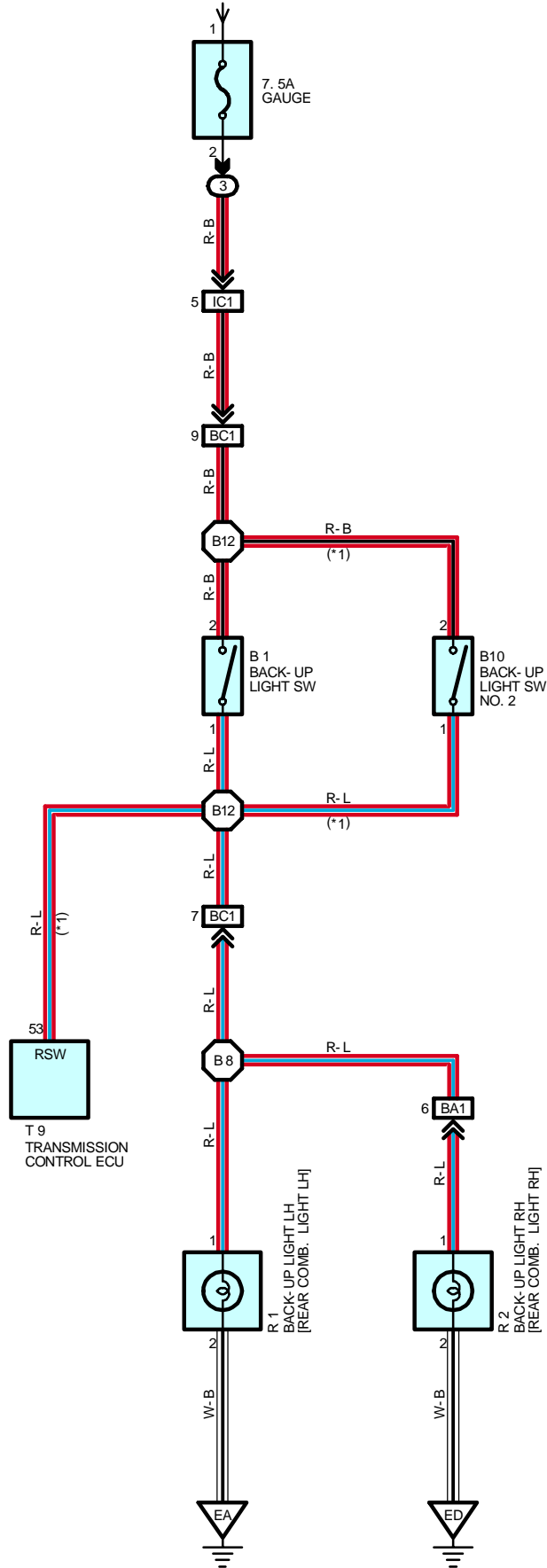


BACK-UP LIGHT

FROM POWER SOURCE SYSTEM (SEE PAGE 46)

* 1 : SEQUENTIAL MANUAL TRANSMISSION



SERVICE HINTS**B1 BACK-UP LIGHT SW**2-1 : Closed with the shift lever in **R** position**B10 BACK-UP LIGHT SW NO.2**2-1 : Closed with the shift lever in **R** position : **PARTS LOCATION**

Code	See Page	Code	See Page	Code	See Page
B1	30	R1	31	T9	35
B10	30	R2	31		

 : **RELAY BLOCKS**

Code	See Page	Relay Blocks (Relay Block Location)
3	24	R/B No.3 (Left Side of Instrument Panel)

 : **CONNECTOR JOINING WIRE HARNESS AND WIRE HARNESS**

Code	See Page	Joining Wire Harness and Wire Harness (Connector Location)
IC1	38	Engine Room Main Wire and Instrument Panel Wire (Left Kick Panel)
BA1	42	Engine Room Main Wire and Floor Wire (Right Side of Room Partition Panel)
BC1	42	Engine Wire and Engine Room Main Wire (Quarter Panel LH)

 : **GROUND POINTS**

Code	See Page	Ground Points Location
EA	36	Suspension Tower Rear LH
ED	36	Suspension Tower Rear RH

 : **SPLICE POINTS**

Code	See Page	Wire Harness with Splice Points	Code	See Page	Wire Harness with Splice Points
B8	42	Engine Room Main Wire	B12	42	Engine Wire