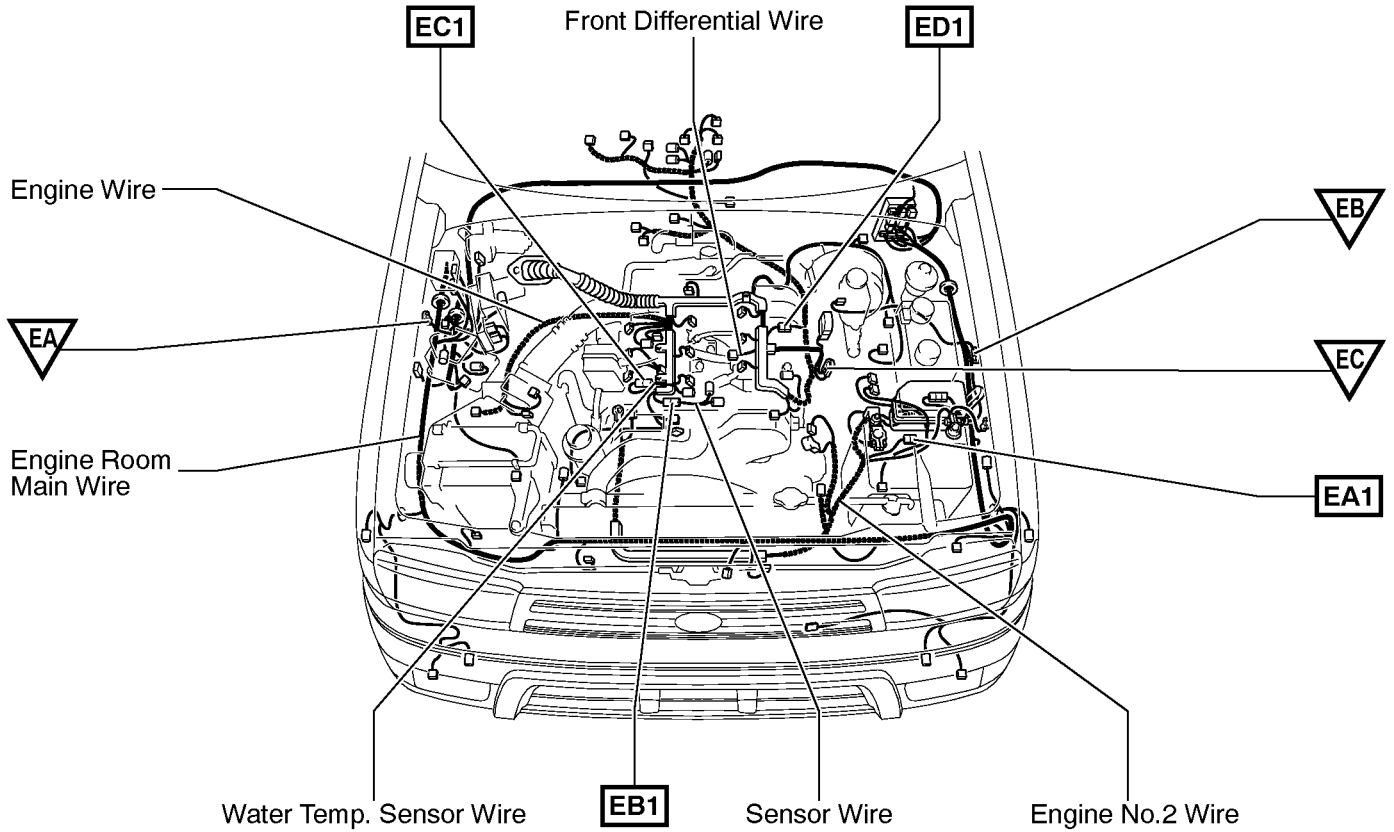


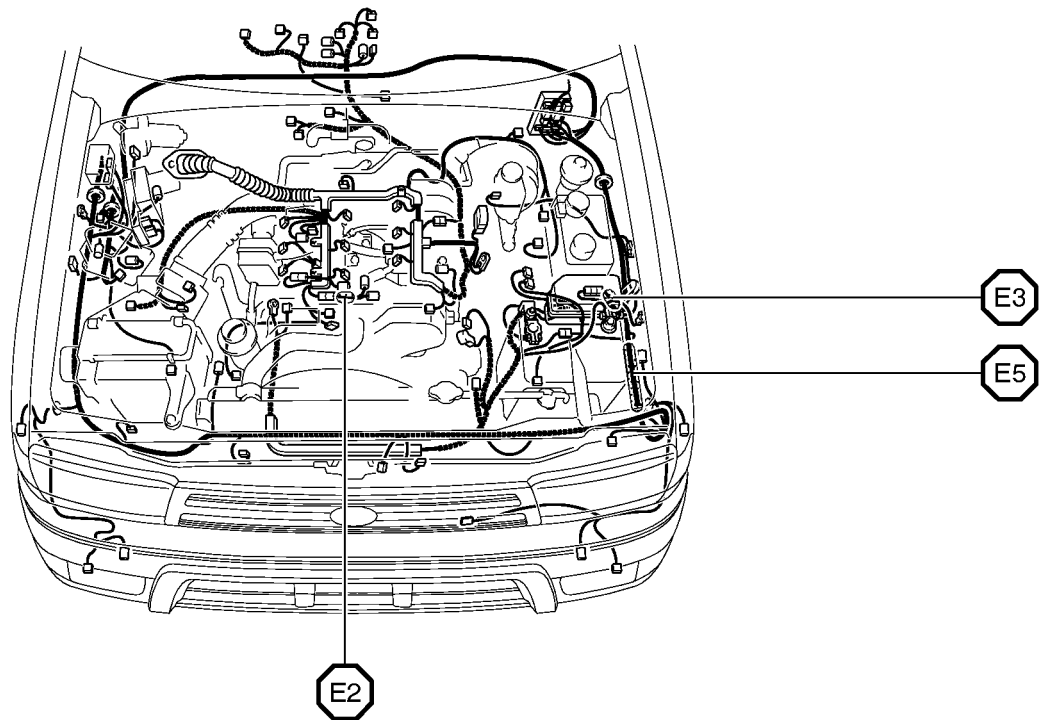
G ELECTRICAL WIRING ROUTING

□ : Location of Connector Joining Wire Harness and Wire Harness
 ▽ : Location of Ground Points

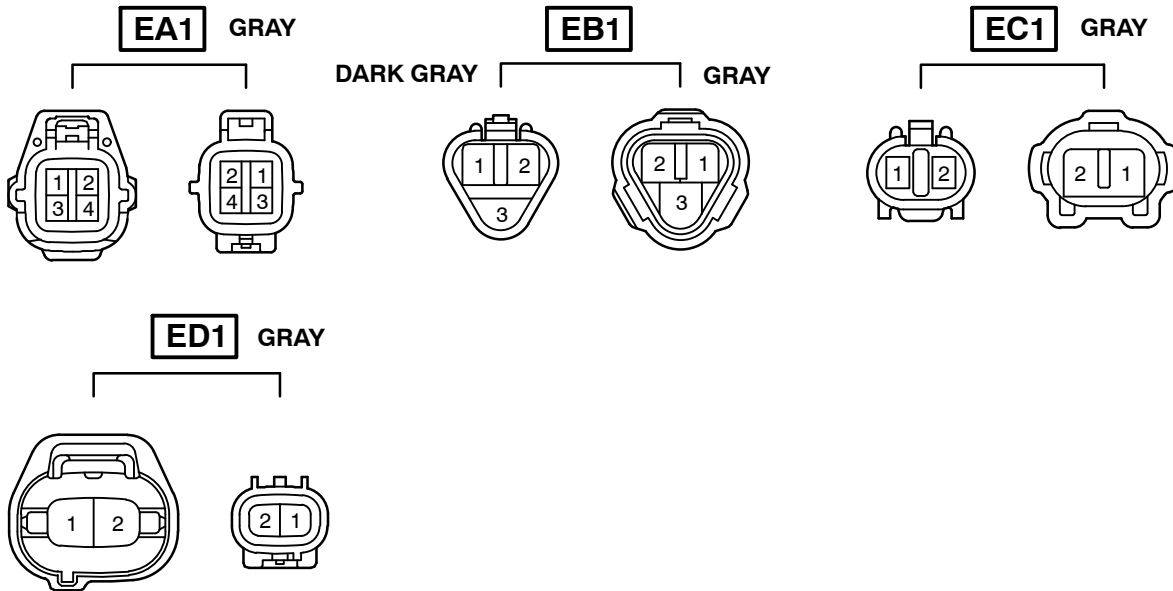
[5VZ-FE]



○ : Location of Splice Points



Connector Joining Wire Harness and Wire Harness



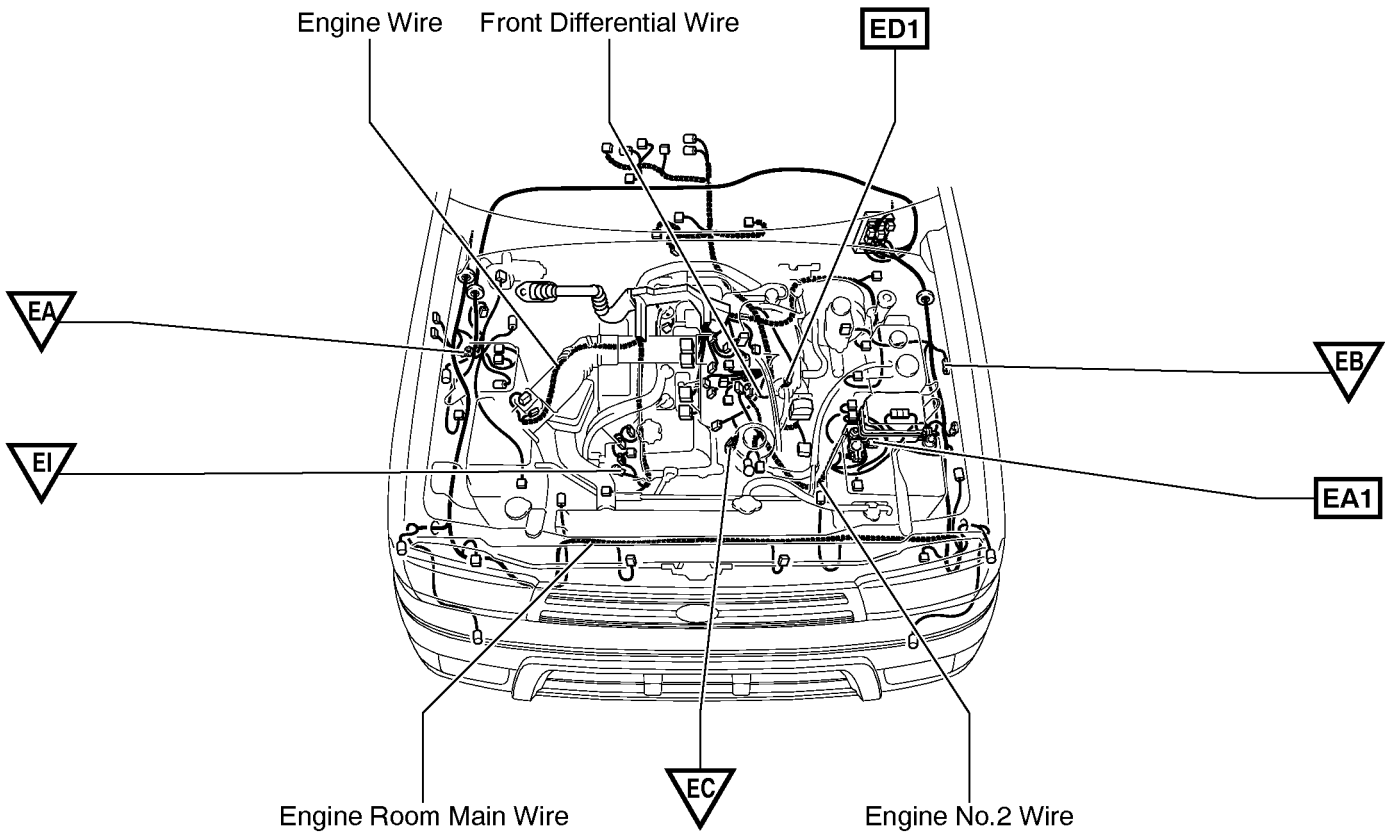
Code	Joining Wire Harness and Wire Harness (Connector Location)
EA1	Engine No.2 Wire and Engine Room Main Wire (Near the Engine Room R/B)
EB1	Sensor Wire and Engine Wire (Front Side of Cylinder Head Cover Right)
EC1	Engine Wire and Water Temp. Sensor Wire (Front Side of Cylinder Head Cover Right)
ED1	Engine Wire and Front Differential Wire (Near the Front Differential)

G ELECTRICAL WIRING ROUTING

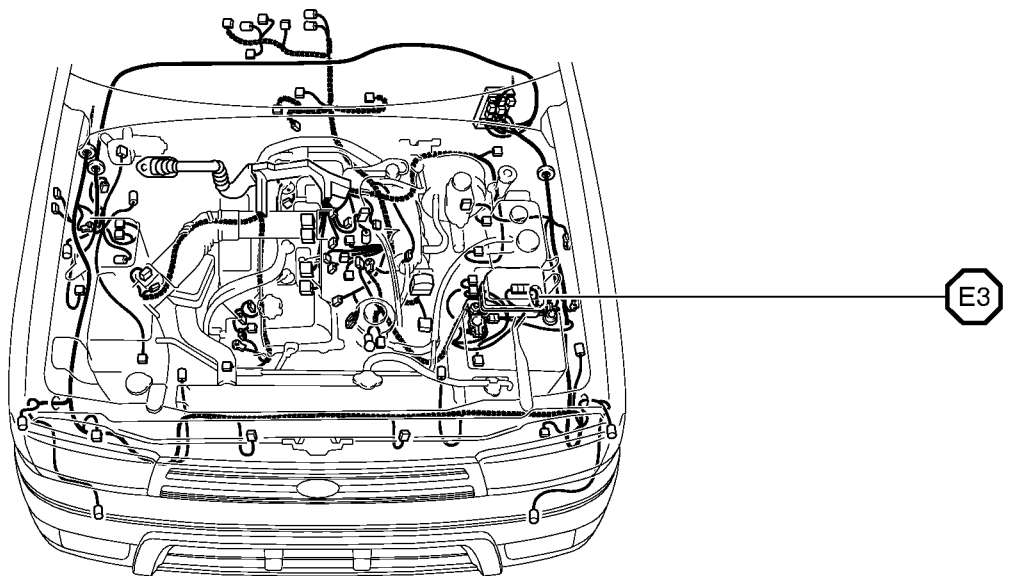
□ : Location of Connector Joining Wire Harness and Wire Harness

▽ : Location of Ground Points

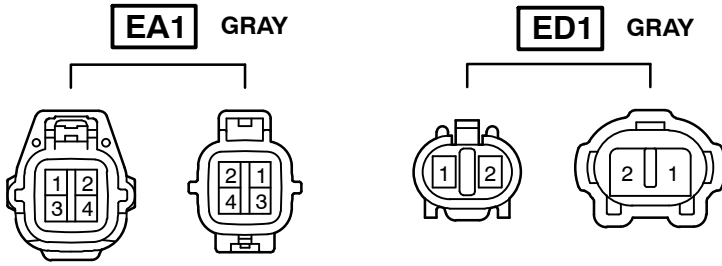
[3RZ-FE]



○ : Location of Splice Points



Connector Joining Wire Harness and Wire Harness

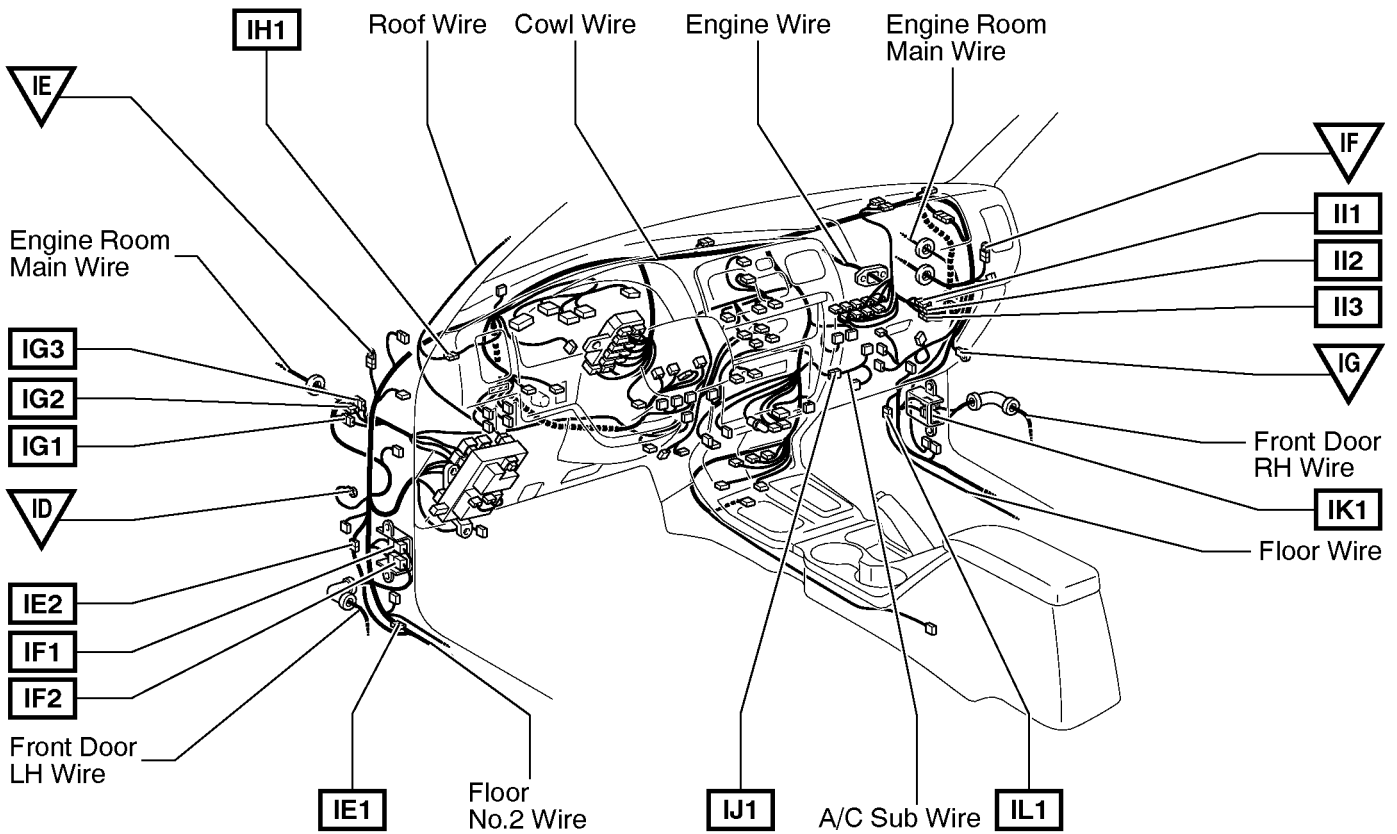


Code	Joining Wire Harness and Wire Harness (Connector Location)
EA1	Engine No.2 Wire and Engine Room Main Wire (Near the Engine Room R/B)
ED1	Engine Wire and Front Differential Wire (Near the Starter)

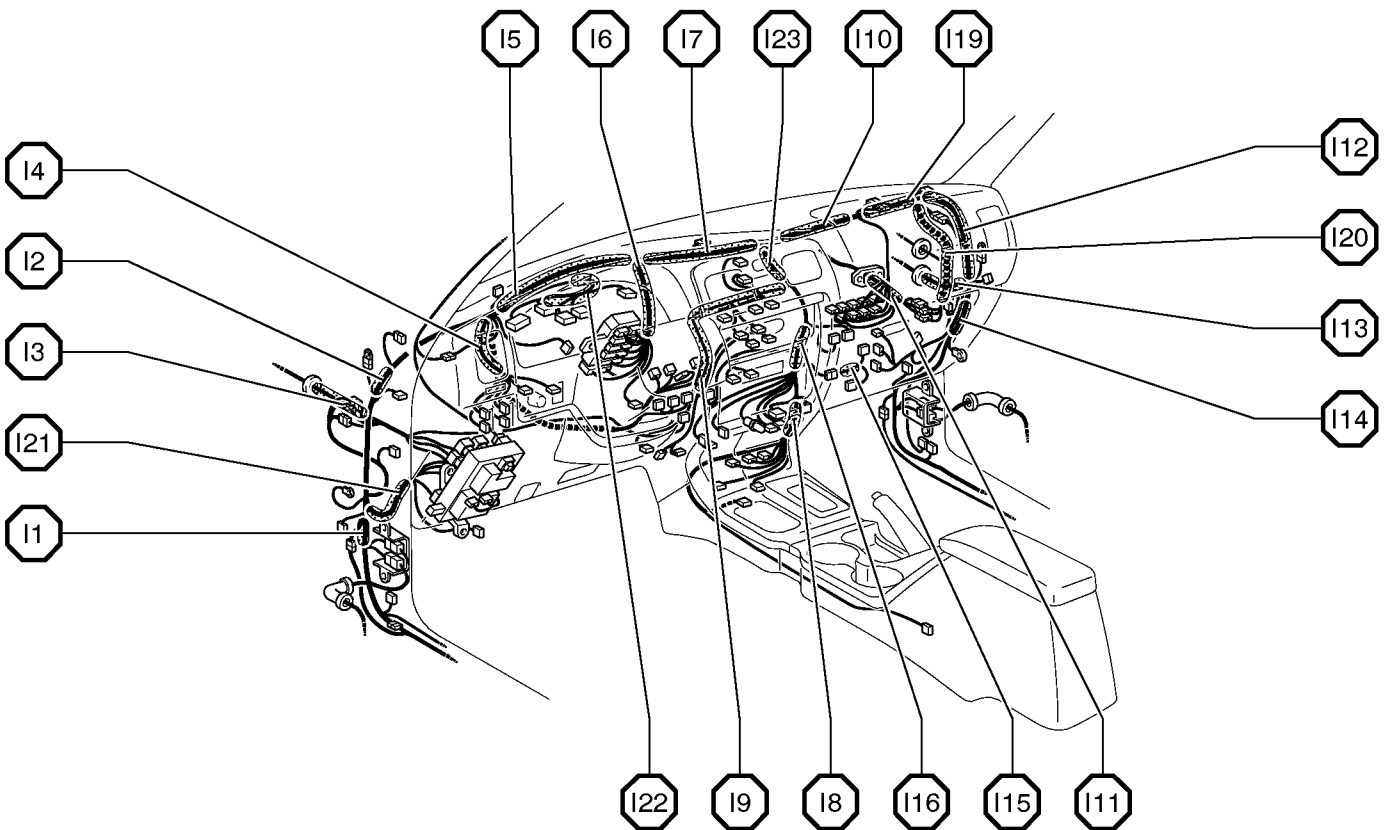
G ELECTRICAL WIRING ROUTING

□ : Location of Connector Joining Wire Harness and Wire Harness

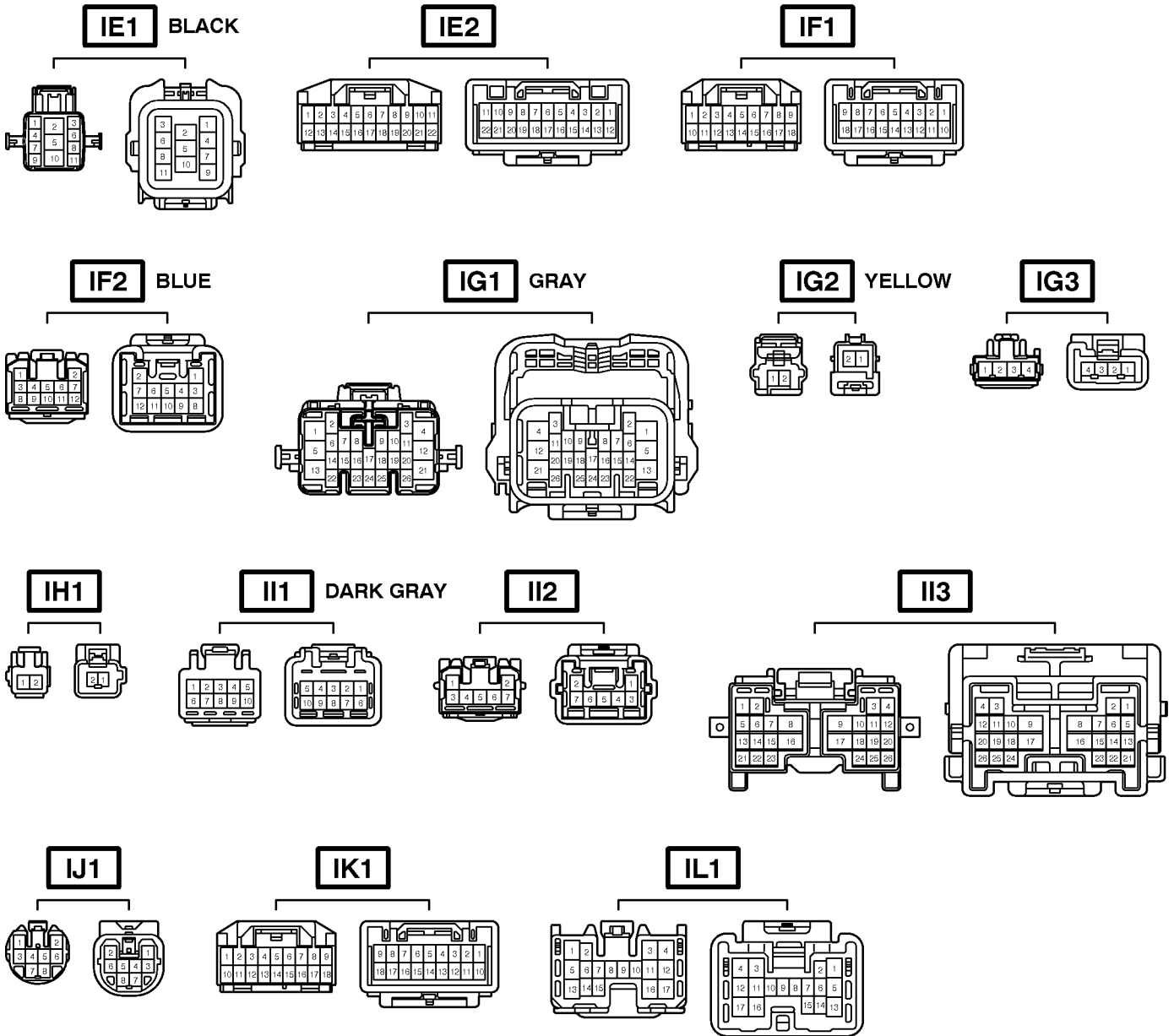
▽ : Location of Ground Points



○ : Location of Splice Points



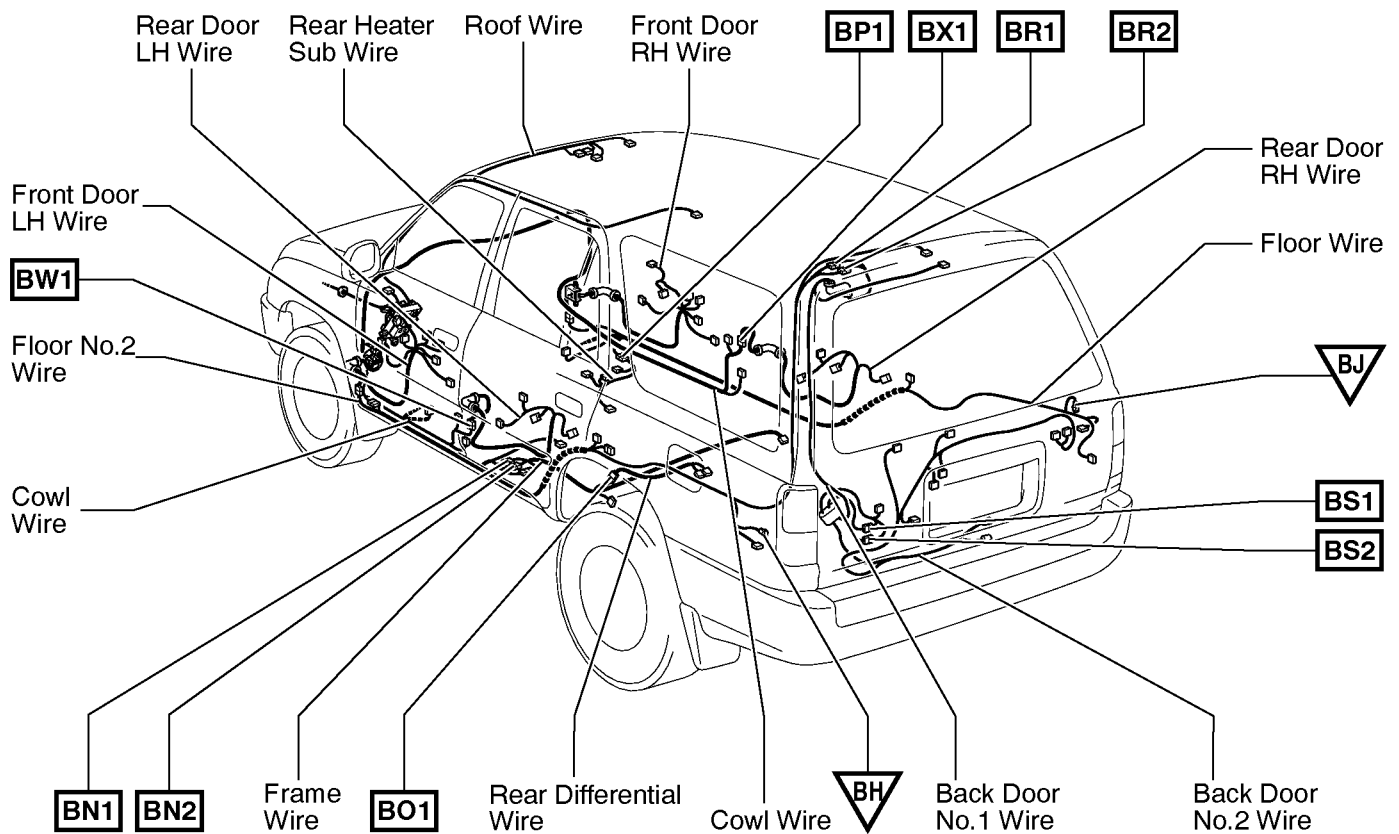
Connector Joining Wire Harness and Wire Harness



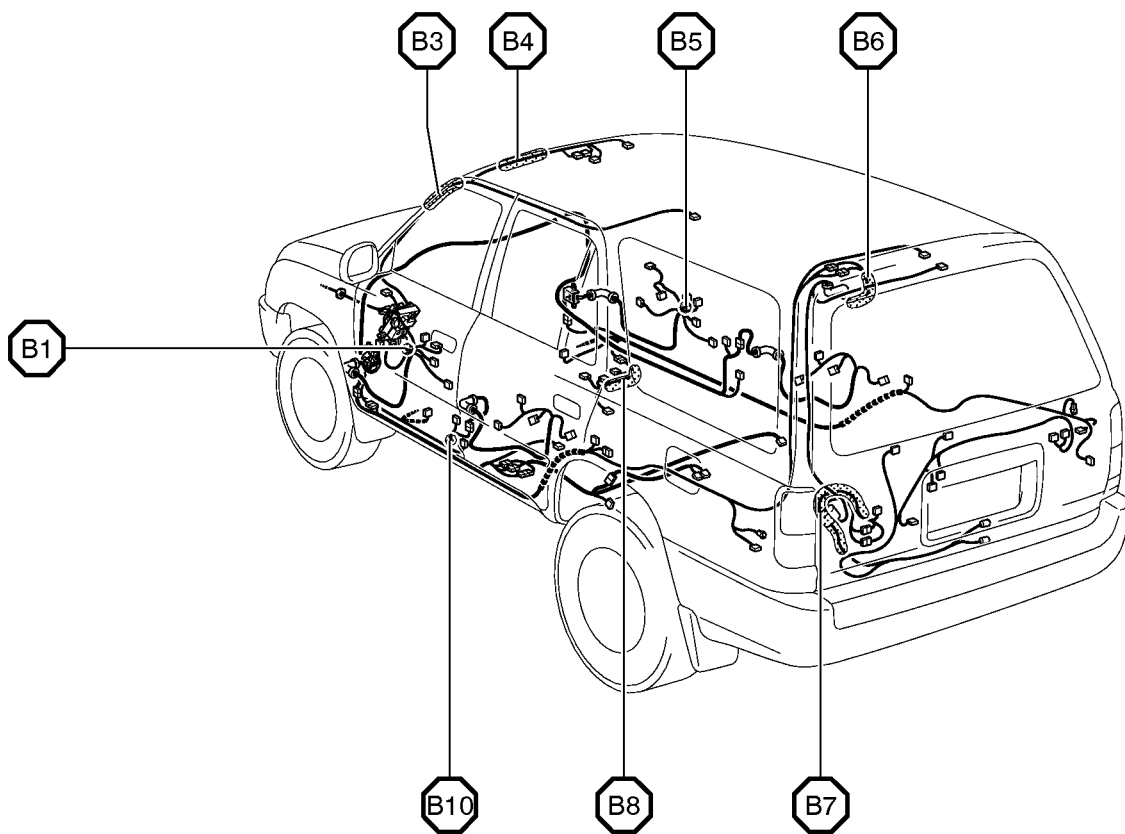
Code	Joining Wire Harness and Wire Harness (Connector Location)
IE1	Cowl Wire and Floor No.2 Wire (Left Kick Panel)
IE2	Cowl Wire and Floor No.2 Wire (Left Kick Panel)
IF1	Front Door LH Wire and Cowl Wire (Left Kick Panel)
IF2	Front Door LH Wire and Cowl Wire (Left Kick Panel)
IG1	Engine Room Main Wire and Cowl Wire (Left Kick Panel)
IG2	Engine Room Main Wire and Cowl Wire (Left Kick Panel)
IG3	Engine Room Main Wire and Cowl Wire (Left Kick Panel)
IH1	Roof Wire and Cowl Wire (Instrument Panel Reinforcement Left)
II1	Engine Wire and Cowl Wire (On the Glove Box)
II2	Engine Wire and Cowl Wire (On the Glove Box)
II3	Engine Wire and Cowl Wire (On the Glove Box)
IJ1	Cowl Wire and A/C Sub Wire (Near the A/C Unit)
IK1	Front Door RH Wire and Cowl Wire (Right Kick Panel)
IL1	Cowl Wire and Floor Wire (Right Kick Panel)

G ELECTRICAL WIRING ROUTING

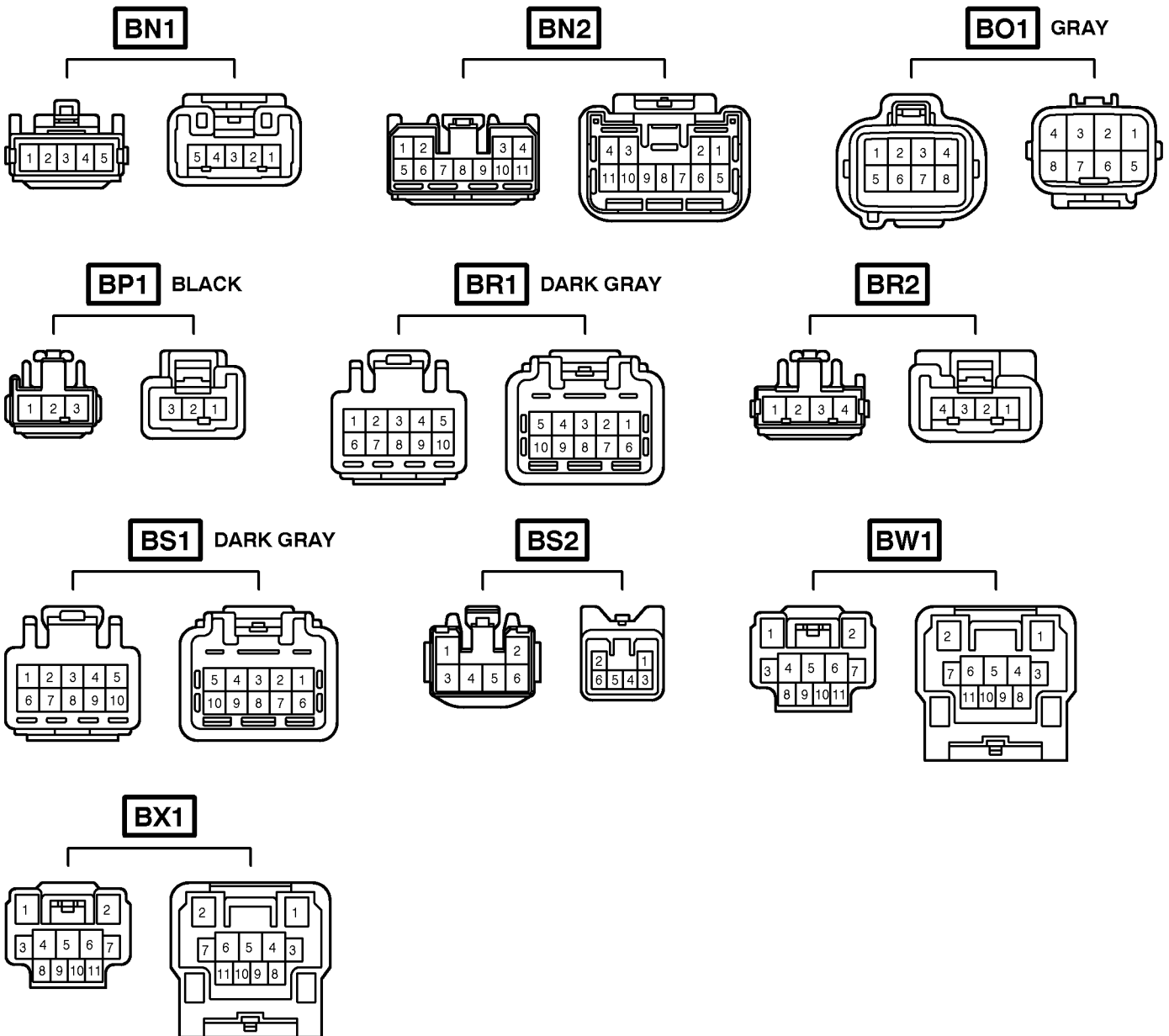
□ : Location of Connector Joining Wire Harness and Wire Harness
 ▽ : Location of Ground Points



○ : Location of Splice Points



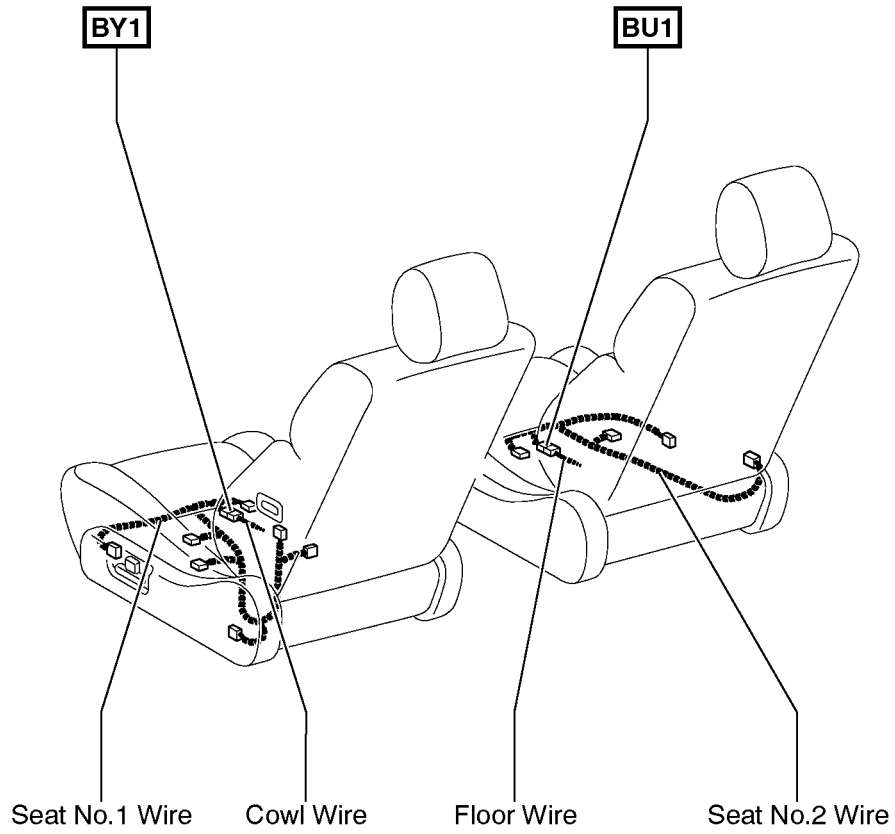
Connector Joining Wire Harness and Wire Harness



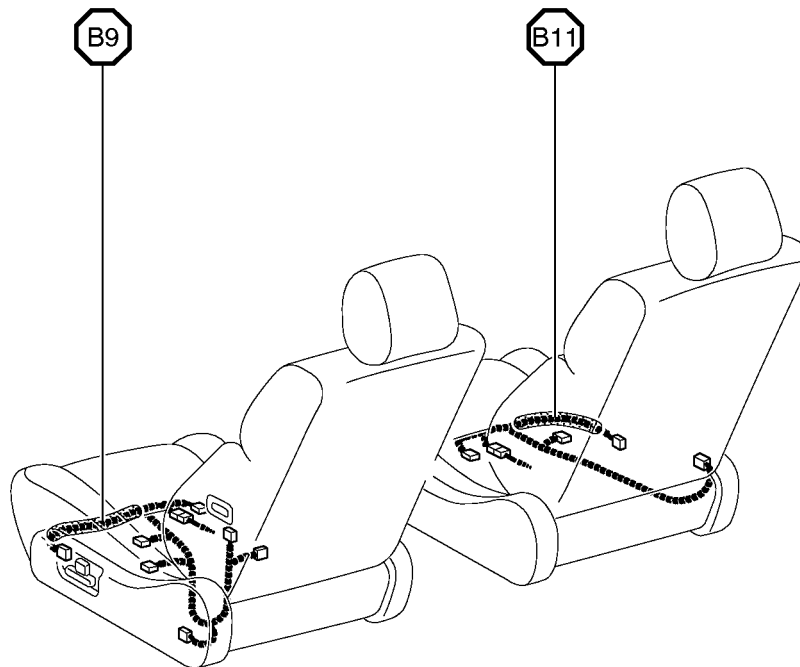
Code	Joining Wire Harness and Wire Harness (Connector Location)
BN1	Frame Wire and Floor No.2 Wire (Under the Left Side of Rear Seat Cushion)
BN2	Frame Wire and Floor No.2 Wire (Under the Left Side of Rear Seat Cushion)
BO1	Frame Wire and Rear Differential Wire (Upper the Rear Axle Housing Left)
BP1	Floor Wire and Rear Heater Sub Wire (Under the Front Passenger's Seat)
BR1	Back Door No.1 Wire and Floor No.2 Wire (Left Rear Side of Roof)
BR2	Back Door No.1 Wire and Floor No.2 Wire (Left Rear Side of Roof)
BS1	Back Door No.1 Wire and Back Door No.2 Wire (Back Door Left)
BS2	Back Door No.1 Wire and Back Door No.2 Wire (Back Door Left)
BW1	Rear Door LH Wire and Cowl Wire (Left Center Pillar)
BX1	Rear Door RH Wire and Cowl Wire (Right Center Pillar)

G ELECTRICAL WIRING ROUTING

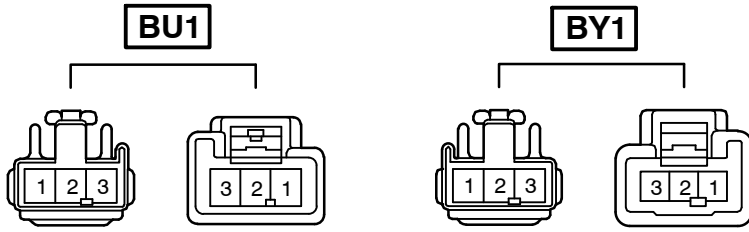
□ : Location of Connector Joining Wire Harness and Wire Harness



○ : Location of Splice Points



Connector Joining Wire Harness and Wire Harness



Code	Joining Wire Harness and Wire Harness (Connector Location)
BU1	Floor Wire and Seat No.2 Wire (Under the Front Passenger's Seat)
BY1	Cowl Wire and Seat No.1 Wire (Under the Driver's Seat)