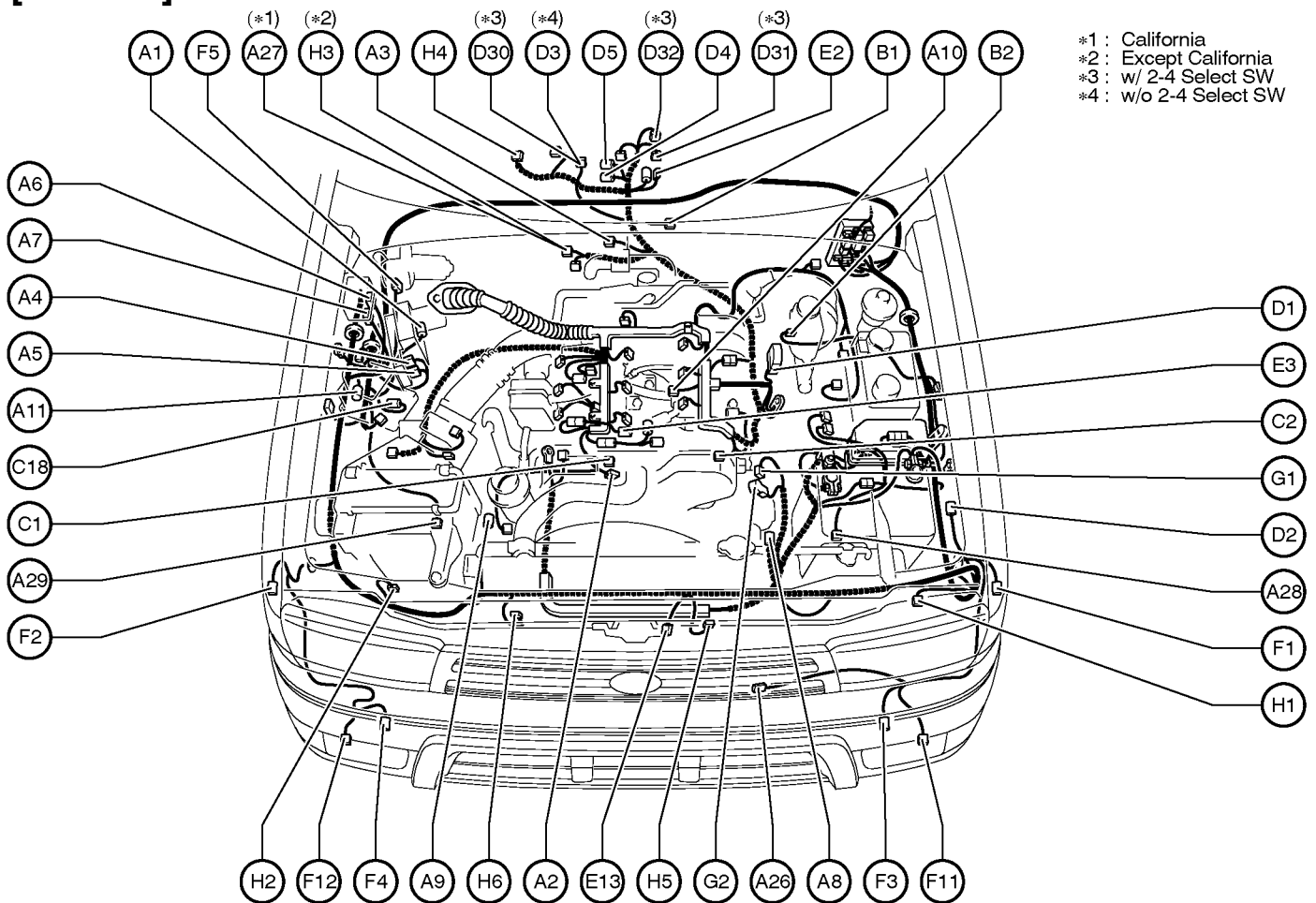


# G ELECTRICAL WIRING ROUTING

## Position of Parts in Engine Compartment

[5VZ-FE]

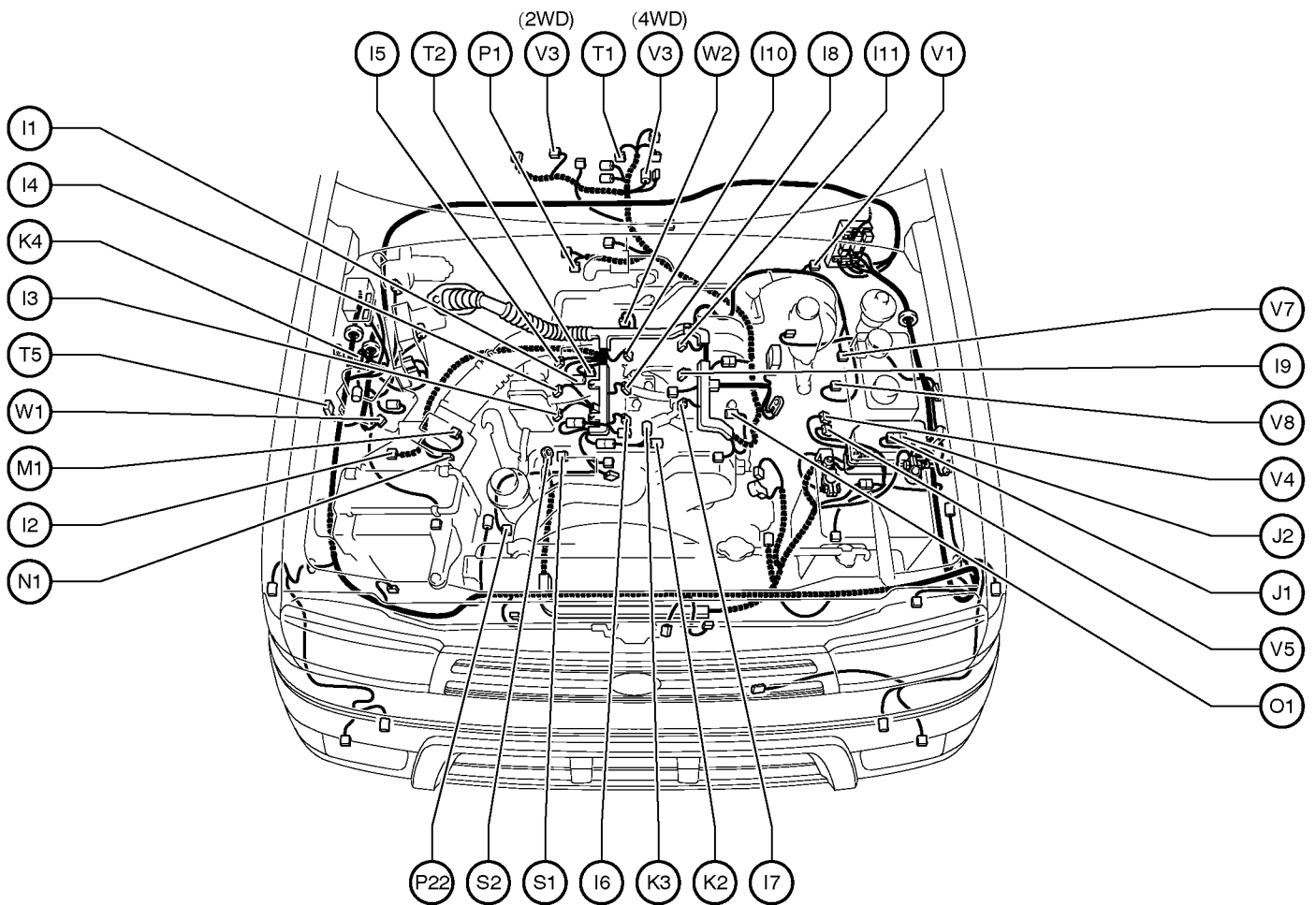


\*1 : California  
 \*2 : Except California  
 \*3 : w/ 2-4 Select SW  
 \*4 : w/o 2-4 Select SW

- |  |  |
|--|--|
| A 1 A/C Dual Pressure SW                 | D 5 Detection SW (Transfer Neutral Position )          |
| A 2 A/C Magnetic Clutch                  | D30 Detection SW (Transfer Center Diff. Lock Position) |
| A 3 A/T Fluid Temp. Sensor               | D31 Detection SW (Transfer 4WD Position)               |
| A 4 ABS Actuator                         | D32 Detection SW (Transfer H4L Position)               |
| A 5 ABS Actuator                         | E 2 Electronically Controlled Transmission Solenoid    |
| A 6 ABS Relay                            | E 3 Engine Coolant Temp. Sensor                        |
| A 7 ABS Relay                            | E13 Engine Hood Courtesy SW                            |
| A 8 ABS Speed Sensor Front LH            | F 1 Front Parking Light LH                             |
| A 9 ABS Speed Sensor Front RH            | F 2 Front Parking Light RH                             |
| A10 ADD Position SW                      | F 3 Front Turn Signal Light LH                         |
| A11 Auto Antenna Motor                   | F 4 Front Turn Signal Light RH                         |
| A26 A/C Ambient Temp. Sensor             | F 5 Front Wiper Motor                                  |
| A27 Air Fuel Ratio Sensor                | F11 Front Fog Light LH                                 |
| A28 Airbag Sensor Front LH               | F12 Front Fog Light RH                                 |
| A29 Airbag Sensor Front RH               |  |
| B 1 Back-Up Light SW                     | G 1 Generator  |
| B 2 Brake Fluid Level Warning SW         | G 2 Generator  |
| C 1 Camshaft Position Sensor             | H 1 Headlight LH                                       |
| C 2 Crankshaft Position Sensor           | H 2 Headlight RH                                       |
| C18 Cruise Control Actuator with ECU     | H 3 Heated Oxygen Sensor (Bank 1 Sensor 1)             |
| D 1 Data Link Connector 1                | H 4 Heated Oxygen Sensor (Bank 1 Sensor 2)             |
| D 2 Daytime Running Light Resistor       | H 5 Horn LH  |
| D 3 Detection SW (Transfer 4WD Position) | H 6 Horn RH  |
| D 4 Detection SW (Transfer L4 Position)  |  |

## Position of Parts in Engine Compartment

### [5VZ-FE]



I 1 Idle Air Control Valve  
 I 2 Igniter  
 I 3 Ignition Coil No.1  
 I 4 Ignition Coil No.2  
 I 5 Ignition Coil No.3  
 I 6 Injector No.1  
 I 7 Injector No.2  
 I 8 Injector No.3  
 I 9 Injector No.4  
 I 10 Injector No.5  
 I 11 Injector No.6

J 1 Junction Connector  
 J 2 Junction Connector

K 2 Knock Sensor No.1  
 K 3 Knock Sensor No.2  
 K 4 Keyless Buzzer

M 1 Mass Air Flow Meter

N 1 Noise Filter

O 1 Oil Pressure SW

P 1 Park/Neutral Position SW  
 P22 Power Steering Oil Pressure SW

S 1 Starter  
 S 2 Starter

T 1 2-4 Select Motor  
 T 2 Throttle Position Sensor  
 T 5 Theft Deterrent Horn

V 1 Vapor Pressure Sensor  
 V 3 Vehicle Speed Sensor  
 (Electronically Controlled Transmission)  
 V 4 VSV (2WD, ADD)  
 V 5 VSV (4WD, ADD)  
 V 7 VSV (EVAP)  
 V 8 VSV (Vapor Pressure Sensor)

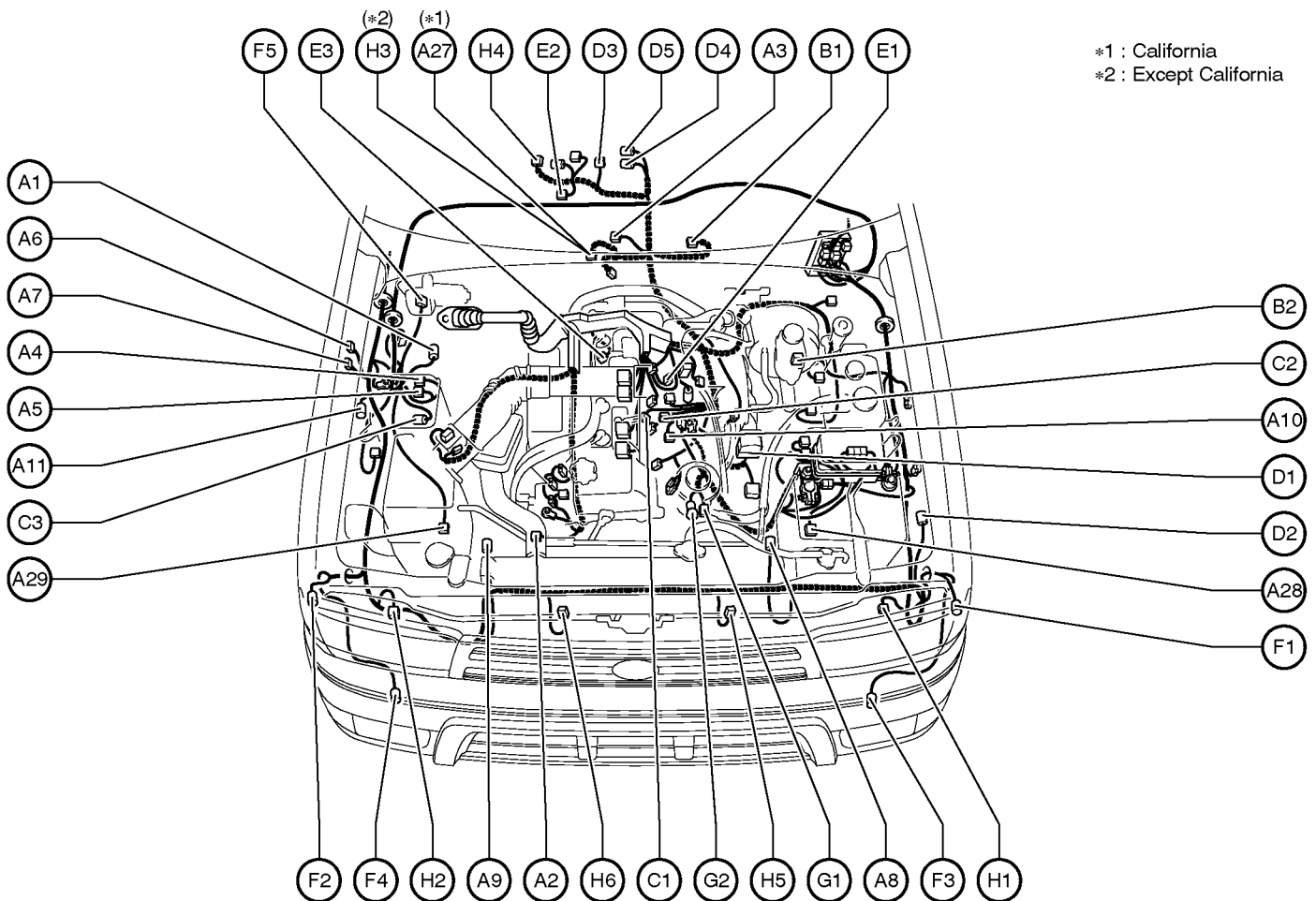
W 1 Washer Motor (w/o Daytime Running Light),  
 Washer Motor and Washer Level Warning SW  
 (w/ Daytime Running Light)

W 2 Water Temp. Sender

# G ELECTRICAL WIRING ROUTING

## Position of Parts in Engine Compartment

[3RZ-FE]

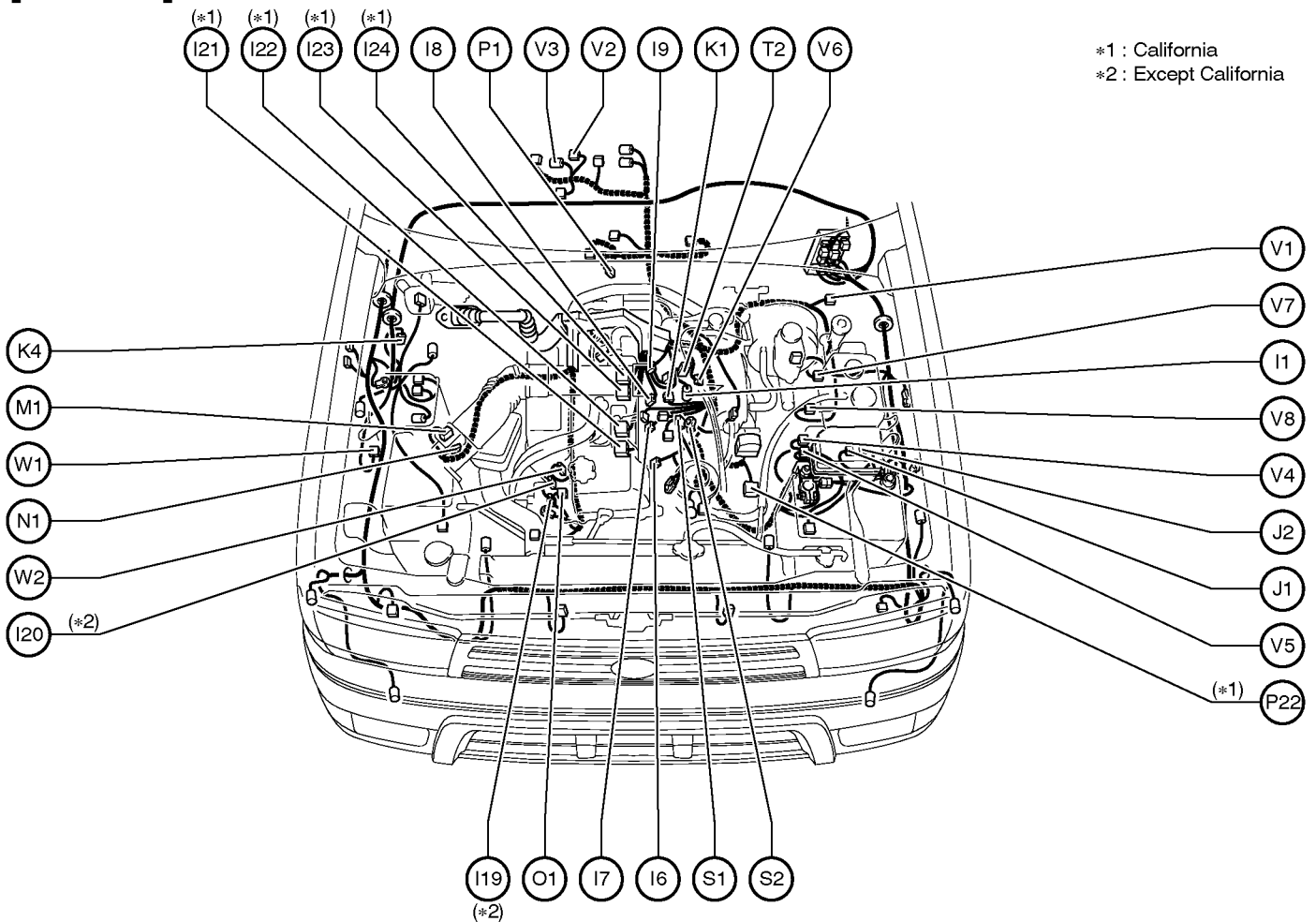


\*1 : California  
\*2 : Except California

- |  |   |
|--|---|
| A 1 A/C Dual Pressure SW                     | E 1 EGR Gas Temp. Sensor                            |
| A 2 A/C Magnetic Clutch                      | E 2 Electronically Controlled Transmission Solenoid |
| A 3 A/T Fluid Temp. Sensor                   | E 3 Engine Coolant Temp. Sensor                     |
| A 4 ABS Actuator                             | F 1 Front Parking Light LH                          |
| A 5 ABS Actuator                             | F 2 Front Parking Light RH                          |
| A 6 ABS Relay                                | F 3 Front Turn Signal Light LH                      |
| A 7 ABS Relay                                | F 4 Front Turn Signal Light RH                      |
| A 8 ABS Speed Sensor Front LH                | F 5 Front Wiper Motor                               |
| A 9 ABS Speed Sensor Front RH                | G 1 Generator                                       |
| A 10 ADD Position SW                         | G 2 Generator                                       |
| A 11 Auto Antenna Motor                      | H 1 Headlight LH                                    |
| A 27 Air Fuel Ratio Sensor                   | H 2 Headlight RH                                    |
| A 28 Airbag Sensor Front LH                  | H 3 Heated Oxygen Sensor (Bank 1 Sensor 1)          |
| A 29 Airbag Sensor Front RH                  | H 4 Heated Oxygen Sensor (Bank 1 Sensor 2)          |
| B 1 Back-Up Light SW                         | H 5 Horn LH   |
| B 2 Brake Fluid Level Warning SW             | H 6 Horn RH   |
| C 1 Camshaft Position Sensor                 |   |
| C 2 Crankshaft Position Sensor               |   |
| C 3 Cruise Control Actuator                  |   |
| D 1 Data Link Connector 1                    |   |
| D 2 Daytime Running Light Resistor           |   |
| D 3 Detection SW (Transfer 4WD Position)     |   |
| D 4 Detection SW (Transfer L4 Position)      |   |
| D 5 Detection SW (Transfer Neutral Position) |   |

## Position of Parts in Engine Compartment

### [3RZ-FE]



\*1 : California  
\*2 : Except California

I 1 Idle Air Control Valve  
I 6 Injector No.1  
I 7 Injector No.2  
I 8 Injector No.3  
I 9 Injector No.4  
I 19 Ignition Coil and Igniter No.1  
I 20 Ignition Coil and Igniter No.2  
I 21 Ignition Coil and Igniter No.1  
I 22 Ignition Coil and Igniter No.2  
I 23 Ignition Coil and Igniter No.3  
I 24 Ignition Coil and Igniter No.4

J 1 Junction Connector  
J 2 Junction Connector

K 1 Knock Sensor  
K 4 Keyless Buzzer

M 1 Mass Air Flow Meter

N 1 Noise Filter

O 1 Oil Pressure SW

P 1 Park/Neutral Position SW  
P22 Power Steering Oil Pressure SW

S 1 Starter  
S 2 Starter

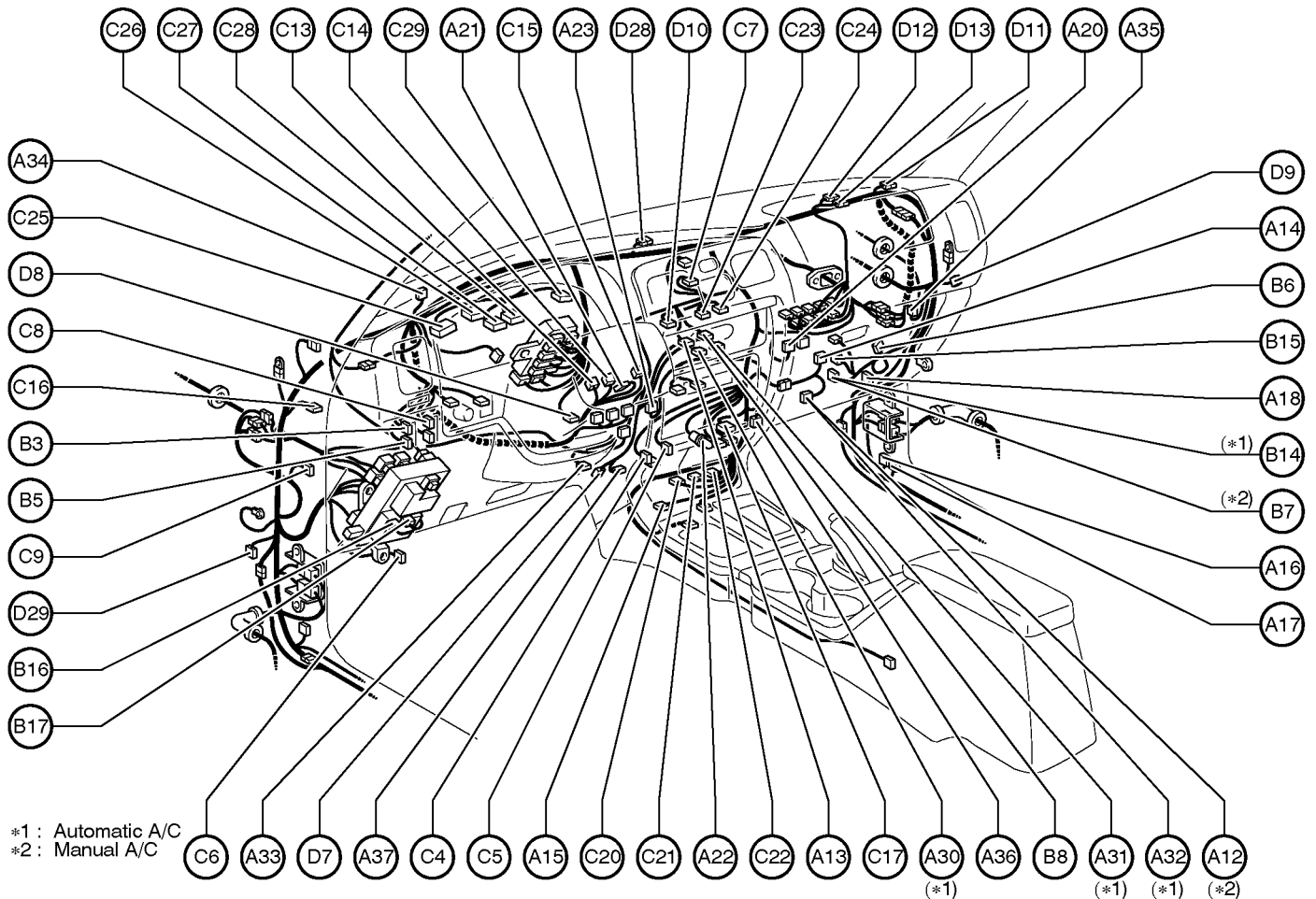
T 2 Throttle Position Sensor

V 1 Vapor Pressure Sensor  
V 2 Vehicle Speed Sensor (Combination Meter)  
V 3 Vehicle Speed Sensor  
(Electronically Controlled Transmission)  
V 4 VSV (2WD, ADD)  
V 5 VSV (4WD, ADD)  
V 6 VSV (EGR)  
V 7 VSV (EVAP)  
V 8 VSV (Vapor Pressure Sensor)

W 1 Washer Motor (w/o Daytime Running Light), Washer Motor and Washer Level Warning SW (w/ Daytime Running Light)  
W 2 Water Temp. Sender

# G ELECTRICAL WIRING ROUTING

## Position of Parts in Instrument Panel

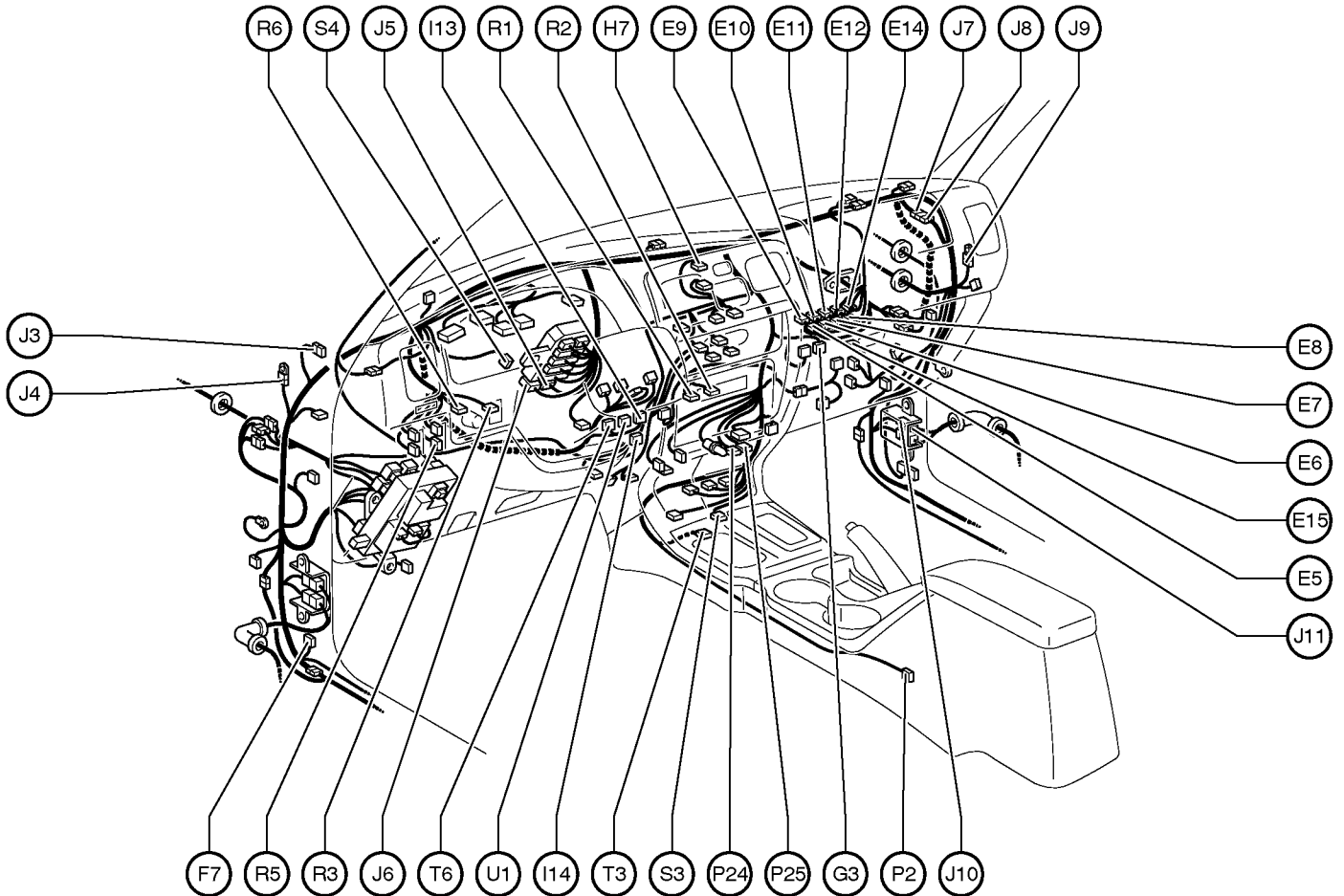


- A 12 A/C Amplifier
- A 13 A/C SW
- A 14 A/C Thermistor
- A 15 ABS Deceleration Sensor
- A 16 ABS ECU
- A 17 ABS ECU
- A 18 ADD Control Relay
- A 20 Airbag Squib (Front Passenger Airbag Assembly)
- A 21 Airbag Squib (Steering Wheel Pad)
- A 22 Ashtray Illumination
- A 23 Auto Antenna Control Relay
- A 30 A/C Amplifier
- A 31 A/C Amplifier
- A 32 A/C Magnetic Clutch Relay
- A 33 A/C Room Temp. Sensor
- A 34 A/C Solar Sensor
- A 35 Air Inlet Control Servo Motor
- A 36 Air Mix Control Servo Motor and A/C Water Temp. Sensor
- A 37 Air Vent Mode Control Servo Motor

- B 3 Back Door Lock Control SW
- B 5 Back Window Lock SW
- B 6 Blower Motor
- B 7 Blower Resistor
- B 8 Blower SW
- B 14 Blower Motor Linear Controller
- B 15 Blower Resistor (Low)
- B 16 Body ECU
- B 17 Body ECU

- C 4 Cigarette Lighter
- C 5 Cigarette Lighter Illumination
- C 6 Circuit Opening Relay
- C 7 Clock
- C 8 Clutch Start Cancel SW
- C 9 Clutch Start SW
- C 13 Combination SW
- C 14 Combination SW
- C 15 Combination SW
- C 16 Cruise Control Clutch SW
- C 17 Cruise Control ECU
- C 20 Center Airbag Sensor Assembly
- C 21 Center Airbag Sensor Assembly
- C 22 Center Airbag Sensor Assembly
- C 23 Center Cluster SW
- C 24 Center Cluster SW
- C 25 Combination Meter
- C 26 Combination Meter
- C 27 Combination Meter
- C 28 Combination Meter
- C 29 Combination Meter
- D 7 Data Link Connector 3
- D 8 Daytime Running Light Relay (Main)
- D 9 Daytime Running Light Relay No.4
- D 10 Defroster Mode SW
- D 11 Diode (Back Window)
- D 12 Diode (Daytime Running Light No.1)
- D 13 Diode (Daytime Running Light No.2)
- D 28 Diode (Idle-Up)
- D 29 Diff. Lock ECU

## Position of Parts in Instrument Panel



E 5 Engine Control Module  
 E 6 Engine Control Module  
 E 7 Engine Control Module  
 E 8 Engine Control Module  
 E 9 Engine Control Module  
 E10 Engine Control Module  
 E11 Engine Control Module  
 E12 Engine Control Module  
 E14 Engine Control Module  
 E15 Extra High Speed Relay

F 7 4WD ECU

G 3 Glove Box Light

H 7 Hazard SW

I 13 Ignition Key Cylinder Light  
 I 14 Ignition SW

J 3 Junction Connector  
 J 4 Junction Connector  
 J 5 Junction Connector  
 J 6 Junction Connector  
 J 7 Junction Connector

J 8 Junction Connector  
 J 9 Junction Connector  
 J 10 Junction Connector  
 J 11 Junction Connector

P 2 Parking Brake SW  
 P24 Power Outlet Front LH  
 P25 Power Outlet Front RH

R 1 Radio and Player (Built-In Type Amplifier) or  
 Stereo Power Amplifier (Separate Type Amplifier)  
 R 2 Radio and Player (Built-In Type Amplifier) or  
 Stereo Power Amplifier (Separate Type Amplifier)  
 R 3 Rear Diff. Lock Control SW  
 R 5 Remote Control Mirror SW  
 R 6 Rheostat

S 3 Shift Lock Control Computer  
 S 4 Stop Light SW

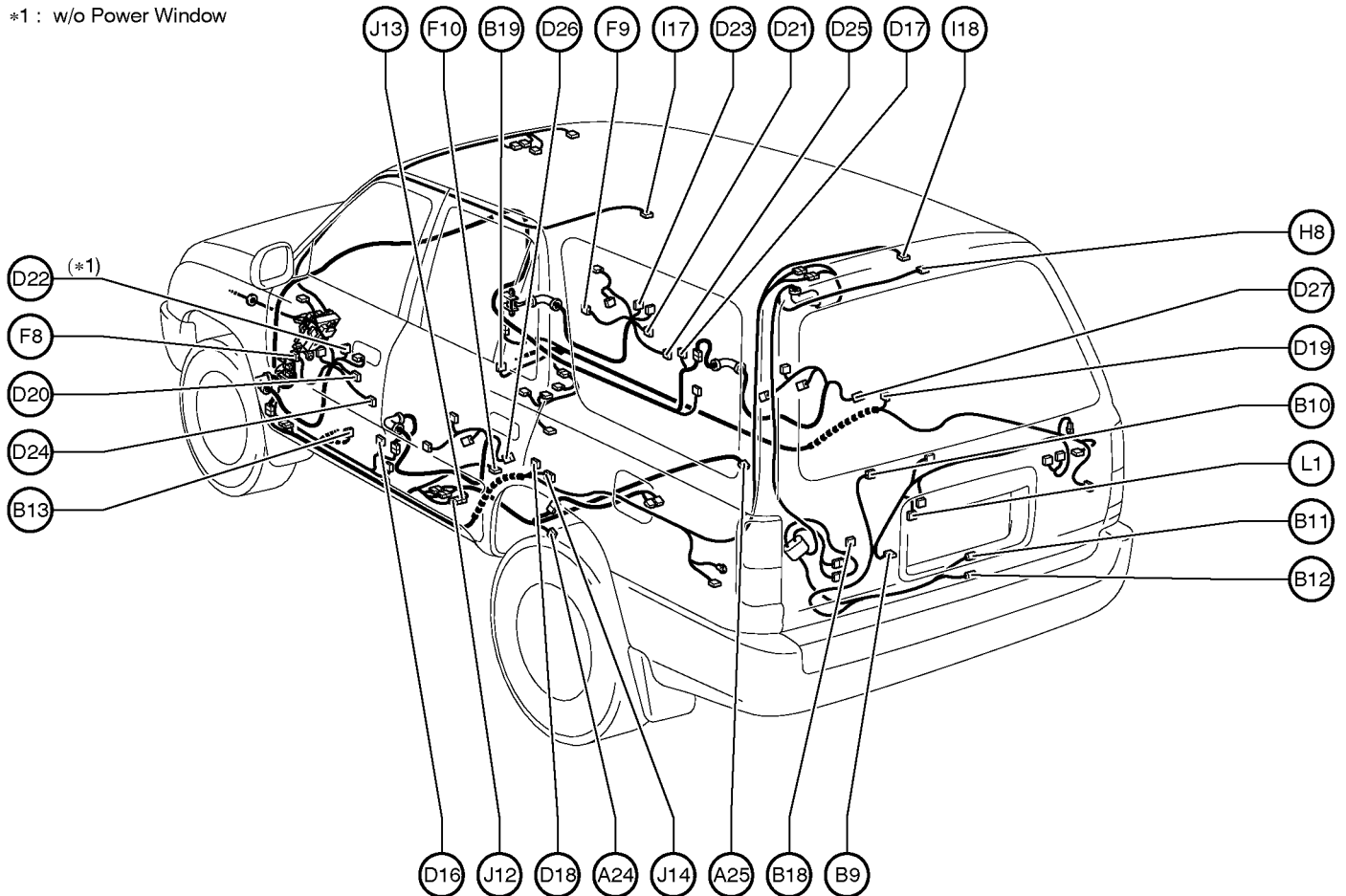
T 3 2-4 Select SW  
 T 6 Transponder Key Amplifier

U 1 Unlock Warning SW

# G ELECTRICAL WIRING ROUTING

## Position of Parts in Body

\*1 : w/o Power Window



A24 ABS Speed Sensor Rear LH  
A25 ABS Speed Sensor Rear RH

B 9 Back Door Courtesy SW  
B10 Back Door Lock Motor and Back Door Unlock Detection SW  
B11 Back Window Limit SW  
B12 Back Window Motor  
B13 Buckle SW LH (w/o Power Seat)  
B18 Back Door ECU  
B19 Buckle SW RH (w/o Power Seat)

D16 Door Courtesy SW Front LH  
D17 Door Courtesy SW Front RH  
D18 Door Courtesy SW Rear LH  
D19 Door Courtesy SW Rear RH  
D20 Door Key Lock and Unlock SW Front LH  
D21 Door Key Lock and Unlock SW Front RH  
D22 Door Lock Control SW Front LH (w/o Power Window)  
D23 Door Lock Control SW Front RH  
D24 Door Lock Motor and Door Unlock Detection SW Front LH  
D25 Door Lock Motor and Door Unlock Detection SW Front RH

D26 Door Lock Motor and Door Unlock Detection SW Rear LH  
D27 Door Lock Motor and Door Unlock Detection SW Rear RH

F 8 Front Door Speaker LH  
F 9 Front Door Speaker RH  
F10 Fuel Sender and Fuel Pump

H 8 High Mounted Stop Light

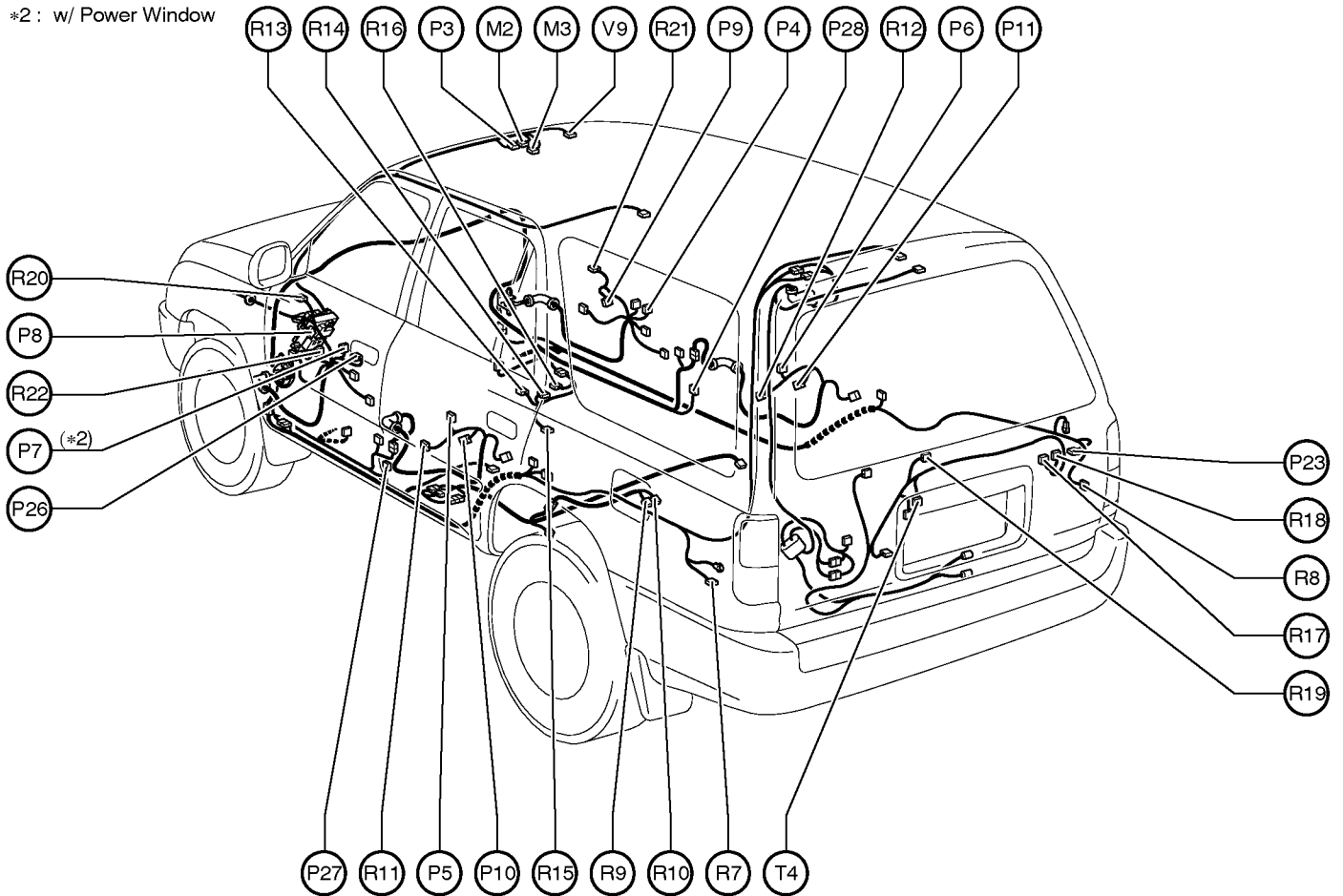
I 17 Interior Light (Front)  
I 18 Interior Light (Rear)

J 12 Junction Connector  
J 13 Junction Connector  
J 14 Junction Connector

L 1 License Plate Light

## Position of Parts in Body

\*2 : w/ Power Window



M 2 Moon Roof Control Motor and Limit SW  
 M 3 Moon Roof Control Relay and SW

P 3 Personal Light  
 P 4 Power Window Control SW Front RH  
 P 5 Power Window Control SW Rear LH  
 P 6 Power Window Control SW Rear RH  
 P 7 Power Window Master SW  
 P 8 Power Window Motor Front LH  
 P 9 Power Window Motor Front RH  
 P 10 Power Window Motor Rear LH  
 P 11 Power Window Motor Rear RH  
 P 23 Power Outlet (Rear)  
 P 26 Power Window Master SW  
 P 27 Pretensioner LH  
 P 28 Pretensioner RH

R 7 Rear Combination Light LH  
 R 8 Rear Combination Light RH

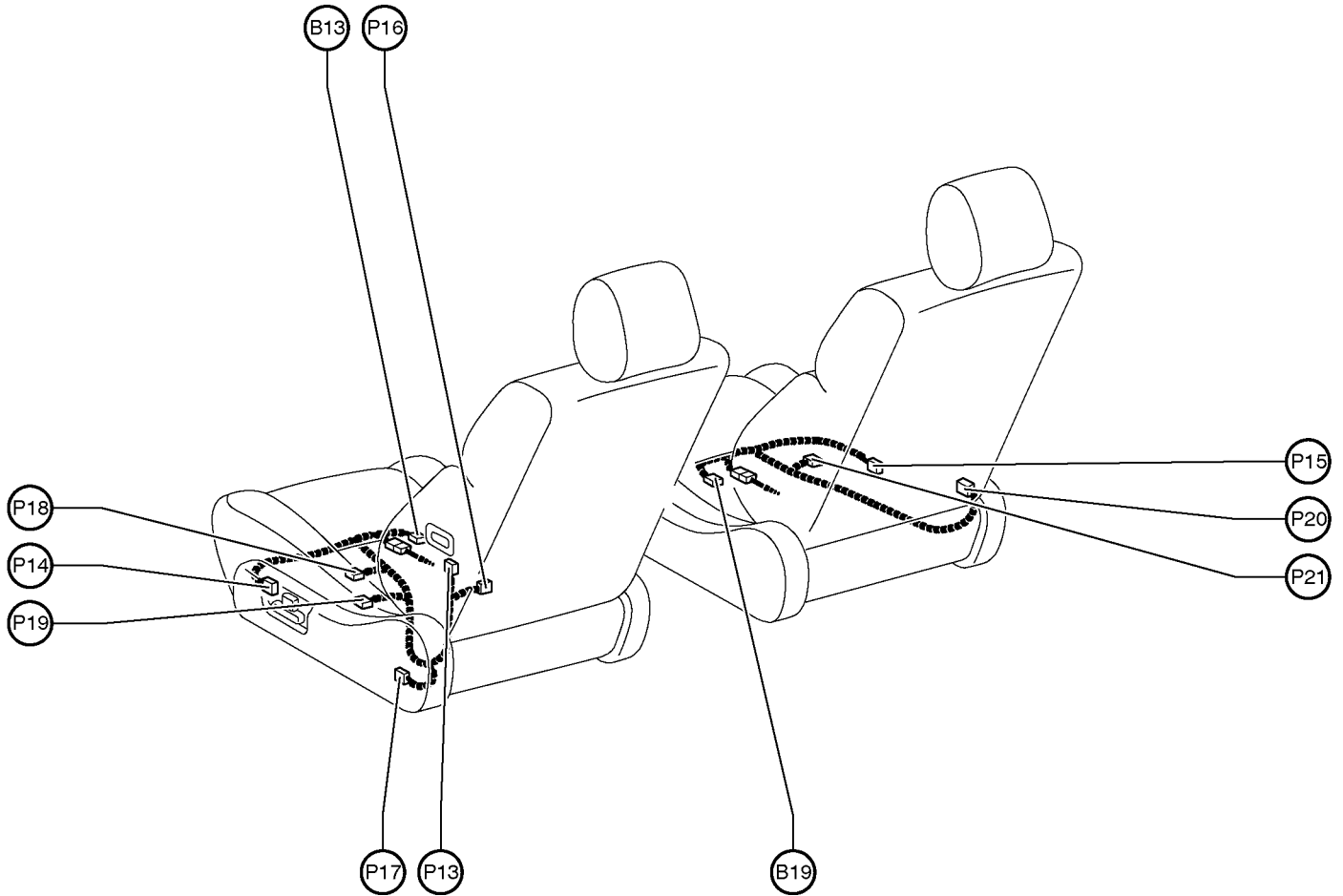
R 9 Rear Diff. Lock Detection SW  
 R 10 Rear Diff. Lock Motor  
 R 11 Rear Door Speaker LH  
 R 12 Rear Door Speaker RH  
 R 13 Rear Heater Blower Motor  
 R 14 Rear Heater Blower Resistor  
 R 15 Rear Heater Blower SW  
 R 16 Rear Heater Relay  
 R 17 Rear Window Defogger  
 R 18 Rear Window Defogger  
 R 19 Rear Wiper Motor  
 R 20 Remote Control Mirror LH  
 R 21 Remote Control Mirror RH  
 R 22 Remote Control Mirror SW

T 4 Tailgate Control SW

V 9 Vanity Light RH

# G ELECTRICAL WIRING ROUTING

## Position of Parts in Seat



B 13 Buckle SW LH (w/ Power Seat)

B 19 Buckle SW RH (w/ Power Seat)

P 13 Power Seat Control SW (Driver's Seat Lumbar Support)

P 14 Power Seat Control SW (Driver's Side)

P 15 Power Seat Control SW (Front Passenger's Side)

P 16 Power Seat Motor (Driver's Seat Lumbar Support)

P 17 Power Seat Motor (Driver's Seat Reclining Control)

P 18 Power Seat Motor (Driver's Seat Slide Control)

P 19 Power Seat Motor (Driver's Seat Vertical Control)

P 20 Power Seat Motor  
(Front Passenger's Seat Reclining Control)

P 21 Power Seat Motor  
(Front Passenger's Seat Slide Control)

